

Tempo 2 Hole Bath Shower Mixer

ILLUSTRATED

- B0731** Tempo 2 hole bath shower mixer
- B9400** Idealrain S1 handspray 1 function 80mm

OPTIONS

- A5901** TMV Thermostatic mixing valve 22mm

ILLUSTRATED PRODUCT DETAILS



Weights

- B0731** 3.27 KG
- B9400** 0.27 KG

Materials

- B0731** Chrome Plated
- B9400** Chrome Plated

Finishes

- B0731**  Chrome (AA)
- B9400**  Chrome (AA)

Flow rates

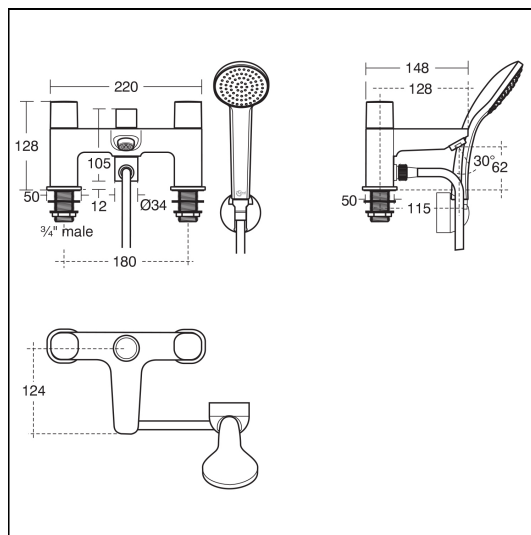
- B0731** 30 Litres per minute @ 3 bar pressure

Designer

Artefakt Industriekultur

Special Notes

Suitable for balanced or unbalanced supplies. Inlets suitable for 22mm copper tubes. It is recommended that a thermostatic blending valve such as A5901AA should be used.



ACCREDITATIONS



1605038