

Tempo 2 Hole Bath Filler

ILLUSTRATED

B0730 Tempo 2 hole bath filler

OPTIONS

A5901 TMV Thermostatic mixing valve 22mm

ILLUSTRATED PRODUCT DETAILS

Weights

B0730 2.64 KG

Finishes

B0730  Chrome (AA)

Materials

B0730 Chrome Plated

Flow rates

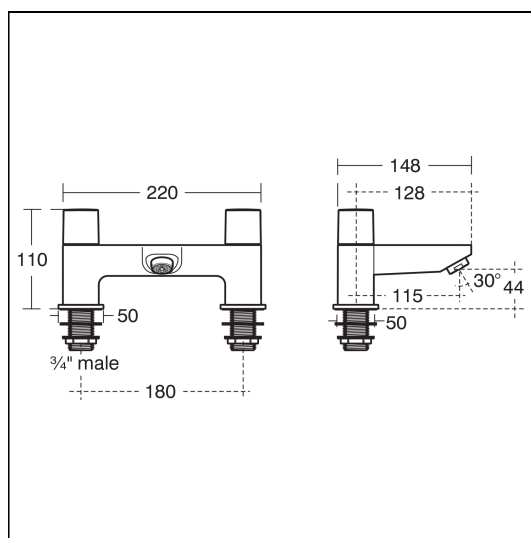
B0730 50 Litres per minute @ 3 bar pressure

Designer

Artefakt Industriekultur

Special Notes

Suitable for balanced or unbalanced supplies. Inlets suitable for 22mm copper tubes. It is recommended that a thermostatic blending valve such as A5901AA should be used.



ACCREDITATIONS



1605027