

Concept Blue Small Washasin Mixer 1 Hole With Pop-up Waste

ILLUSTRATED

B0671 Concept Blue small washbasin mixer 1 hole with pop-up waste

ILLUSTRATED PRODUCT DETAILS

Weights

B0671 1.50 KG

Materials

B0671 Chrome Plated Brass

Finishes

B0671  Chrome (AA)

Flow rates

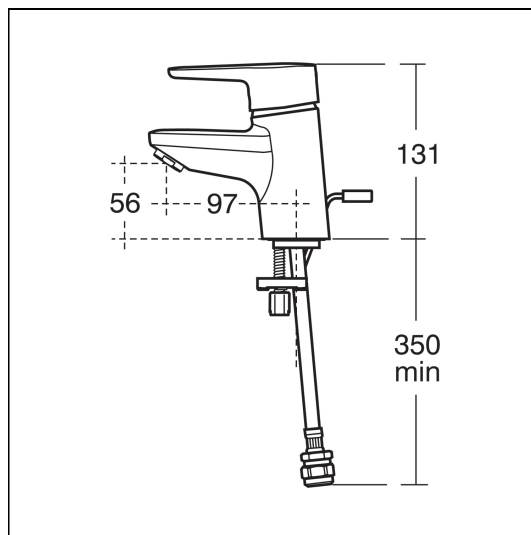
B0671 5 Litres per minute @ 3 bar pressure

Designer

Robin Levien, RDI

Special Notes

Suitable for balanced supplies. Inlets with flexible hoses and connections for 15mm copper tails. Fitted with a 5 lpm outlet flow regulator. When installed in commercial applications, A5900AA a 15mm thermostatic blending valve must be used. Flow rate with fitted regulator 5 litres per minute. Unregulated flow rate 4.7 litres per minute at 0.2 bar.



ACCREDITATIONS

B0671(AA)



1712700