

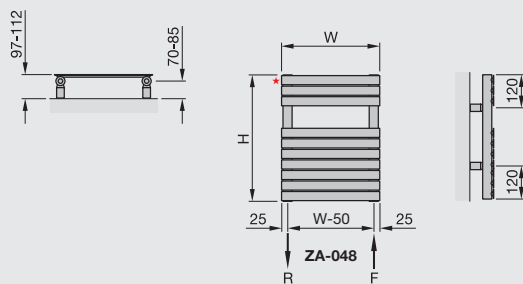
Central Heating Model STOCK listed in black	Height mm	Width mm	Finish	Output $\Delta T=50K$ Watts/btu All outputs certified to EN 442	Electric Immersion Rating Watts	Weight kg	RRP (ex VAT)	RRP (inc 20% VAT)
<b>Zehnder Ax Spa</b>								
<b>ZA-048-040</b>	484	400	white	230/785	n/a	4.5	<b>£174</b>	<b>£208.80</b>
<b>ZA-048-040-0336</b>	484	400	volcanic	230/785	n/a	4.5	<b>£218</b>	<b>£261.60</b>
<b>ZA-048-040-0523</b>	484	400	beige quartz	230/785	n/a	4.5	<b>£218</b>	<b>£261.60</b>
<b>ZA-048-040-0529</b>	484	400	brown quartz	230/785	n/a	4.5	<b>£218</b>	<b>£261.60</b>

Projection: 97-112mm

**Colour finish:** Standard colours from the Zehnder colour chart including matt white finish: white RAL 9016 + 25%. Colour finish and non-stock products delivery: 18 working days.

Suggested valves (to suit pipework from the wall)			
Model		RRP (ex VAT)	RRP (inc 20% VAT)
<b>VAL-SET-2-CR</b>	Contemporary double angled radiator valve set chrome plated	<b>£59</b>	<b>£70.80</b>
<b>VAL-SET-11-CR</b>	Thermostatic double angled valve set chrome plated	<b>£183</b>	<b>£219.60</b>

See page 48 for additional Ax Spa sizes, technical information and options, and pages 132 -137 for valve options



\*1/8" air vent  
Width excludes air vent  
F = flow  
R = return  
H = height  
W = width  
Tube: Horizontal 38x10.5  
Tube: Vertical  $\varnothing$  38mm  
All dimensions in mm

For full **CE** compliant technical specifications, refer to page 140

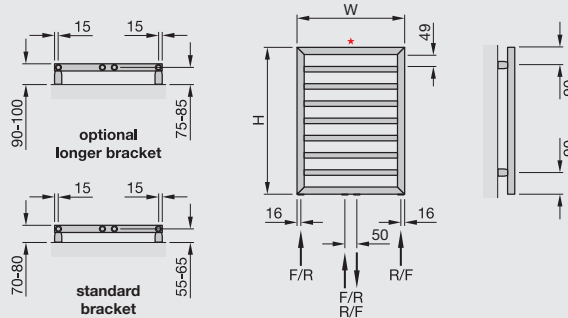
Central Heating Model STOCK listed in black	Height mm	Width mm	Finish	Output $\Delta T=50K$ Watts/btu All outputs certified to EN 442	Electric Immersion Rating Watts	Weight kg	RRP (ex VAT)	RRP (inc 20% VAT)
<b>Zehnder Subway</b>								
<b>SUB-060-045</b>	613	450	white	310/1058	200	5.2	<b>£178</b>	<b>£213.60</b>
<b>SUB-060-045-0335</b>	613	450	titane	310/1058	200	5.2	<b>£223</b>	<b>£267.60</b>
<b>SUB-060-045-0336</b>	613	450	volcanic	310/1058	200	5.2	<b>£223</b>	<b>£267.60</b>
<b>SUB-060-045-0523</b>	613	450	beige quartz	310/1058	200	5.2	<b>£223</b>	<b>£267.60</b>
<b>SUB-060-045-0557</b>	613	450	matt black	310/1058	200	5.2	<b>£223</b>	<b>£267.60</b>
<b>SUBC-060-045</b>	613	450	chrome	205/699	100	5.2	<b>£387</b>	<b>£464.40</b>
<b>SUBI-060-045</b>	613	450	stainless steel	221/754	150	5.1	<b>£437</b>	<b>£524.40</b>

Projection: 70-80mm or 90-100mm, dependant on brackets selected. See page 30 for details

**Colour finish:** Standard colours from the Zehnder colour chart including matt white finish: white RAL 9016 + 25%. Colour finish and non-stock products delivery: 20 working days.

Suggested valves (to suit pipework from the wall)			
Model		RRP (ex VAT)	RRP (inc 20% VAT)
<b>VAL-SET-6-CR</b>	Square head double angled valve set chrome plated	<b>£210</b>	<b>£252.00</b>

See pages 34 and 72 for additional Subway sizes, technical information and options, and pages 132 -137 for valve options



\*1/2" air vent  
Height excludes air vent  
F = flow  
R = return  
H = height  
W = width  
Tube: Horizontal  $\varnothing$  23mm  
Tube: Vertical 30x30mm  
All dimensions in mm

For full **CE** compliant technical specifications, refer to page 140  
To make an approximate conversion from T=50K to T=60K multiply outputs by 1.2