

.....

# SPECIFICATION SHEET

COLLECTION: IRLO  
PRODUCT CODE: AX-IRO-137-CP



## DESCRIPTION:

2 hole bath filler  
deck mounted  
cold ceramic cartridge C-302-RTC  
hot ceramic cartridge C-302-LTC  
2 x 3/4" male threaded connections  
deck mount drill hole diameter  
28-30mm  
minimum operating pressure 0.2 bar  
LP

## FINISH:

Chrome

## MINIMUM OPERATING PRESSURE:

0.2 bar LP

## FLOW RATE AT 3.0 BAR FLOW PRESSURE:

58 l/m



## CONTACT

SALES: 01934 744466

AFTERSALES: 01934 745163

EMAIL: SALES@VADO.COM

WWW.VADO.COM/AXCES

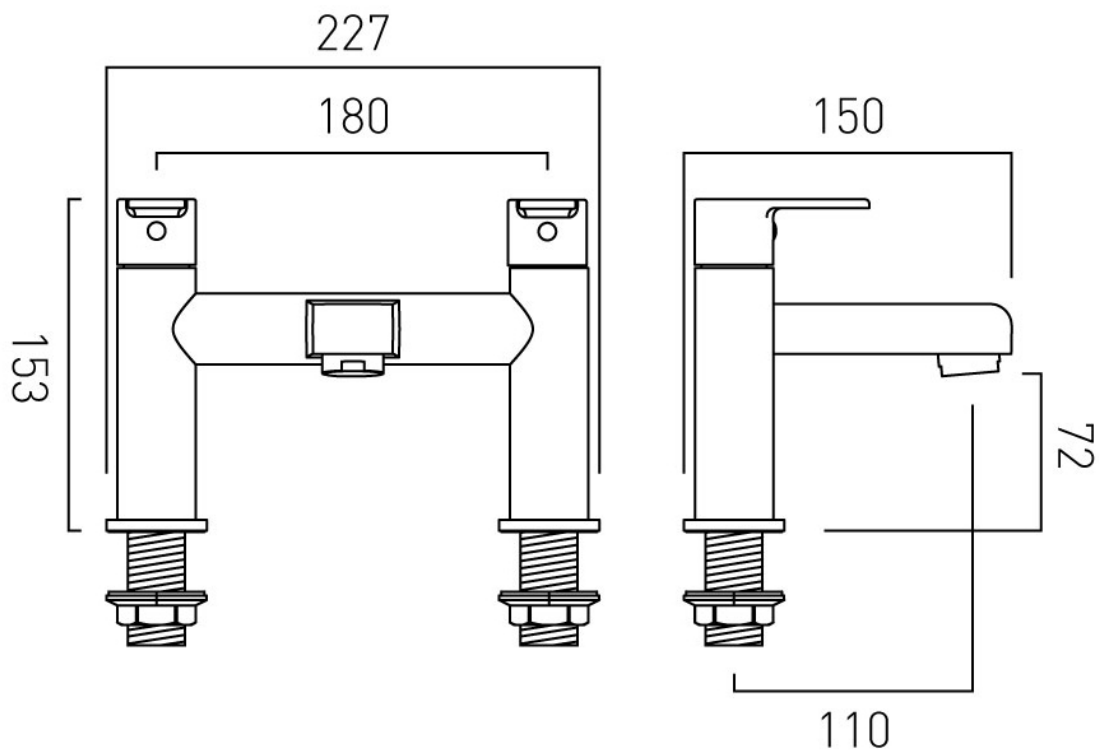
AXCES  
by VADO

.....

# TECHNICAL DRAWING

COLLECTION: IRLO

PRODUCT CODE: AX-IRO-137-CP



## CONTACT

SALES: 01934 744466

AFTERSALES: 01934 745163

EMAIL: SALES@VADO.COM

WWW.VADO.COM/AXCES

AXCES  
by VADO