

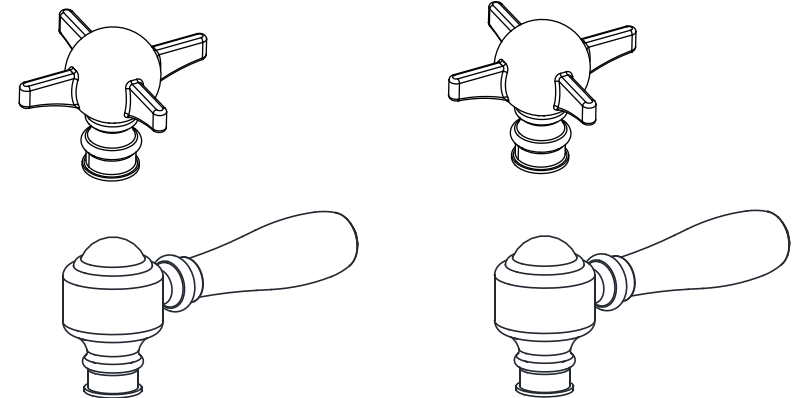
Beautifully Traditional

ARCADE™

TECHNICAL DETAILS

For full technical details on all our products,
please visit our website www.burlingtonbathrooms.com

Crosshead handle (pair) for ARCADE 2011,2014,2015,2016,2017,2035,2036	ARCHSN, ARCHSC
Crosshead handle (pair) for ARCADE 2012,2013,2018,2019	ARCHLN, ARCHLC
White ceramic tap levers (pair)	ARC65 NKL, ARC65 CHR
Gloss black ceramic tap levers (pair)	ARC66 NKL, ARC66 CHR
Brass tap levers (pair)	ARC67 NKL, ARC67 CHR



INSTALLATION INSTRUCTIONS

Beautifully Traditional

ARCADE™

Crosshead handle (pair) for ARCADE 2011,2014,2015,2016,2017,2035,2036 ARCHSN, ARCHSC
 Crosshead handle (pair) for ARCADE 2012,2013,2018,2019 ARCHLN, ARCHLC
 White ceramic tap levers (pair) ARC65 NKL, ARC65 CHR
 Gloss black ceramic tap levers (pair) ARC66 NKL, ARC66 CHR
 Brass tap levers (pair) ARC67 NKL, ARC67 CHR

INSTALLATION INSTRUCTIONS

Please read these instructions carefully and keep in a safe place for further reference.

General Installation Requirement

The installation must comply with regulations of the Local Water Authority as contained in their bylaws. It will be necessary to fit non-return valves on both the hot and cold feeds. It is very important that all pipework is flushed thoroughly after installation to avoid impurities damaging the ceramic discs.

Minimum/Maximum working pressure

These taps are suitable for high and low pressure installations. They are fitted with quarter turn ceramic disc headwork which provides a smooth movement. The minimum work pressure is 0.2 bar. The maximum work pressure is 5 bar. If the mains pressure is over 5 bar, a pressure reducing valve should be fitted.

Approvals

All taps are manufactured using materials tested and approved under the Water Bylaws Scheme and comply with requirements of European standard EN200 where applicable.

Preparations and bylaw requirements

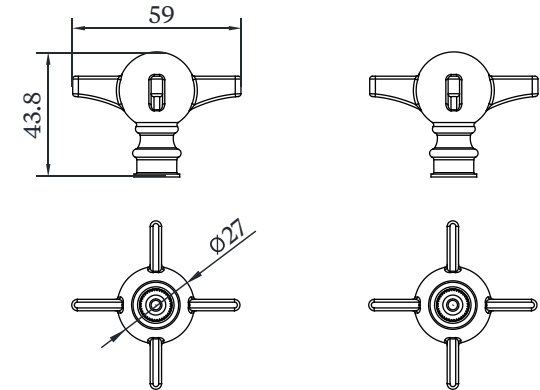
Water Bylaws require that where hot water is supplied from tank and cold from mains, non return valves are fitted on both hot and cold pipes as close as possible to the tap. These are not supplied. Where combination boilers are fitted, it is only necessary to shut off the incoming mains and turn the boiler off. Non return valves are not required.

Warning

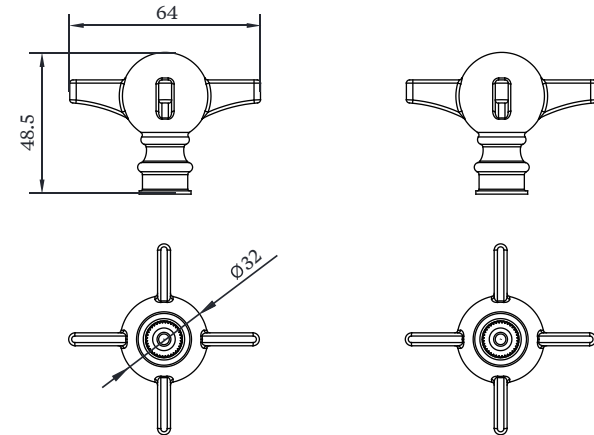
Before installing the new taps, it is essential that you thoroughly flush through the supply pipes in order to remove any remaining swarf, solder or other impurities. Failure to carry out this simple procedure could cause problems or damage to the working of the taps.

These hints are prepared for your guidance; you must exercise due care at all times. We do not accept responsibility for any problems that may occur through incorrect installation.

DIMENSIONS



ARCHSN/ARHSC



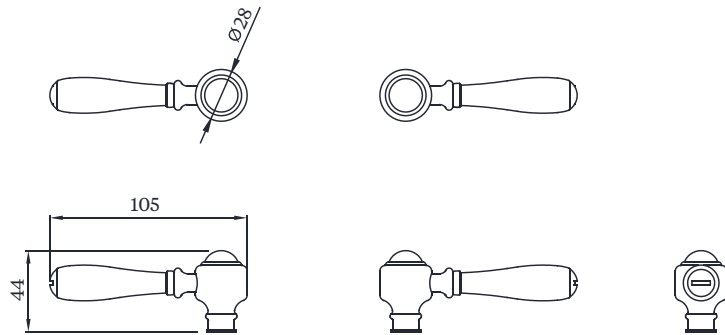
ARCHLN/ARHLC

NOTE: ALL DIMENSIONS IN MILLIMETRES

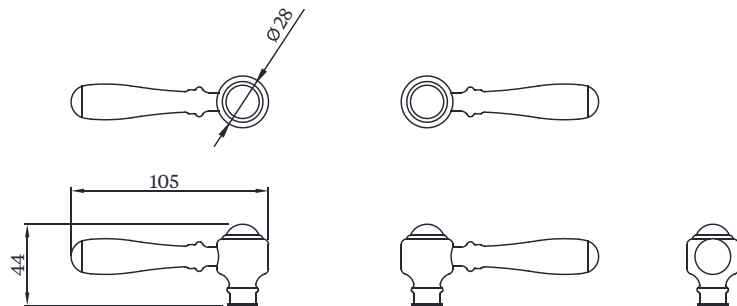
Beautifully
Traditional

ARCADE™

Crosshead handle (pair) for ARCADE 2011,2014,2015,2016,2017,2035,2036 ARCHSN, ARCHSC
 Crosshead handle (pair) for ARCADE 2012,2013,2018,2019 ARCHLN, ARCHLC
 White ceramic tap levers (pair) ARC65 NKL, ARC65 CHR
 Gloss black ceramic tap levers (pair) ARC66 NKL, ARC66 CHR
 Brass tap levers (pair) ARC67 NKL, ARC67 CHR



White & Gloss black ceramic tap levers



Brass tap levers

NOTE: ALL DIMENSIONS IN MILLIMETRES

INSTALLATION INSTRUCTIONS

First shut off your water heating system, then with your mains stop cock closed, open the lowest cold and hot taps in the house and allow to run until the cold storage tank and pipes are empty (the hot storage cylinder always remains full). Fitting isolating valve to inlet feeds is recommended for ease of maintenance.

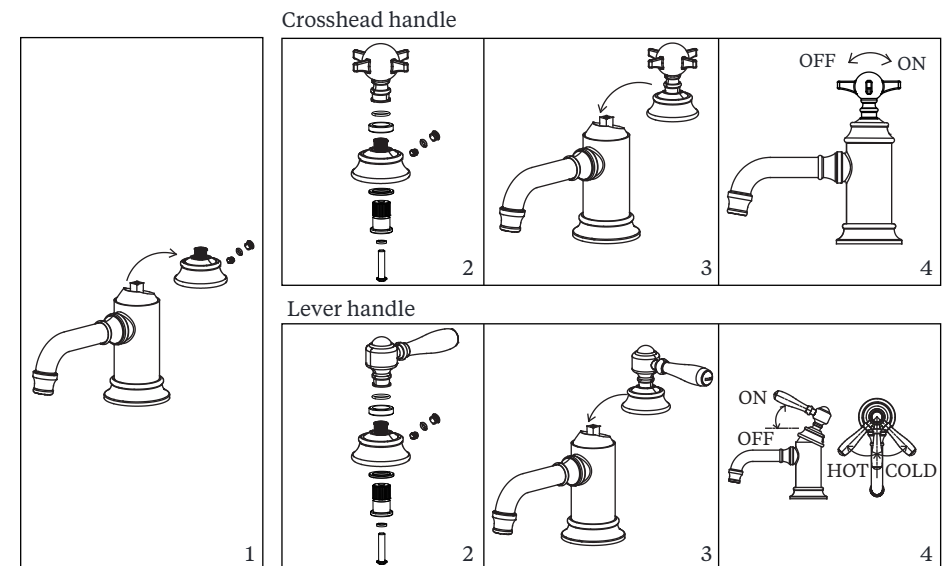
INSTALLATION

Note: Remember to turn off mains water supply before connecting to any existing pipe work.

ARC 2035NKL ARC 2015CHR Arcade mini single lever basin mixer without pop up waste

ARC 2012NKL ARC 2012CHR Arcade single lever basin mixer without pop up waste

ARC 2013 NKL ARC 2013 CHR Arcade single lever bidet mixer with pop up waste



1. Remove decorative cover cap from handle base. Loosen the grub screw with Allen key. Remove handle base.
2. Fit the handle (crosshead handle or lever handle) per diagram (2).
3. Fit the assembled handle set onto the tap body, then tighten the grub screw and put the cover cap on.
4. Operation as shown in above diagram (4).

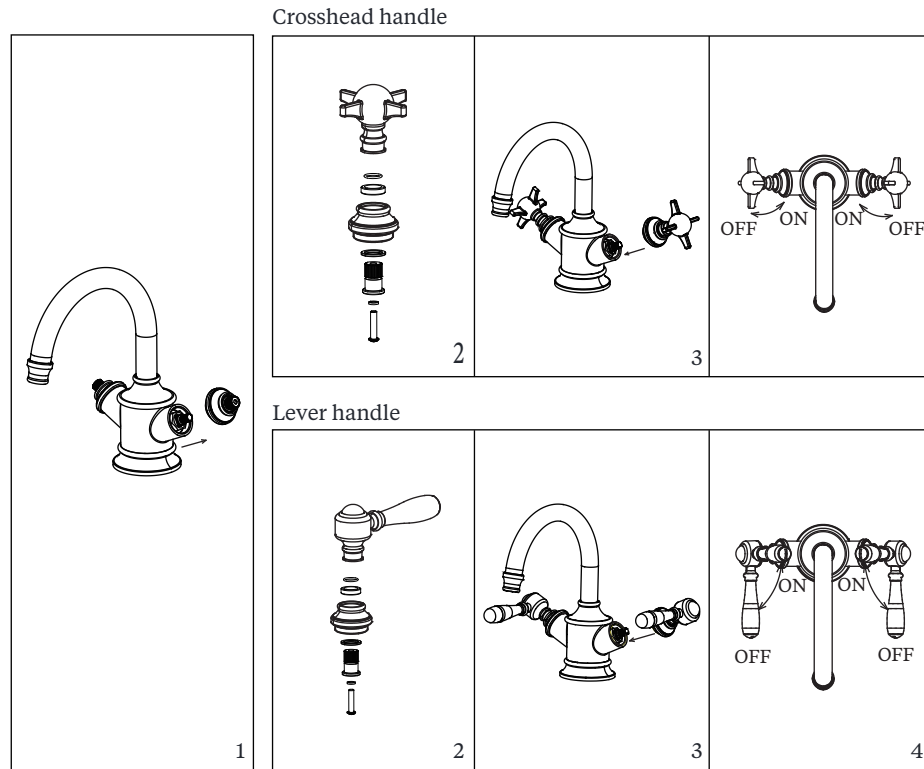
www.burlingtonbathrooms.com

Beautifully
Traditional

ARCADE™

Crosshead handle (pair) for ARCADE 2011,2014,2015,2016,2017,2035,2036 ARCHSN, ARCHSC
 Crosshead handle (pair) for ARCADE 2012,2013,2018,2019 ARCHLN, ARCHLC
 White ceramic tap levers (pair) ARC65 NKL, ARC65 CHR
 Gloss black ceramic tap levers (pair) ARC66 NKL, ARC66 CHR
 Brass tap levers (pair) ARC67 NKL, ARC67 CHR

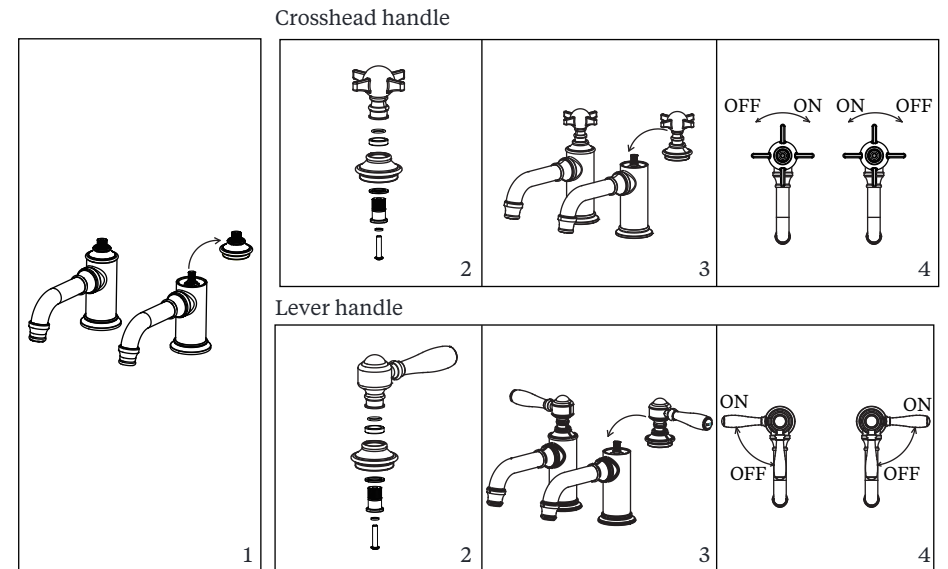
ARC 2014NKL ARC 2014CHR Arcade dual lever basin mixer without popup waste



1. Remove the tap handle base (1).
2. Fit the handle (crosshead handle or lever handle) as diagram (2).
3. Fit the assembled handle set onto the tap body as diagram (3).
4. Operation as shown in above diagram (4).

INSTALLATION INSTRUCTIONS

ARC 2017NKL ARC 2017CHR Arcade basin pillar taps
 ARC 2036NKL ARC 2036CHR Arcade cloakroom basin pillar taps



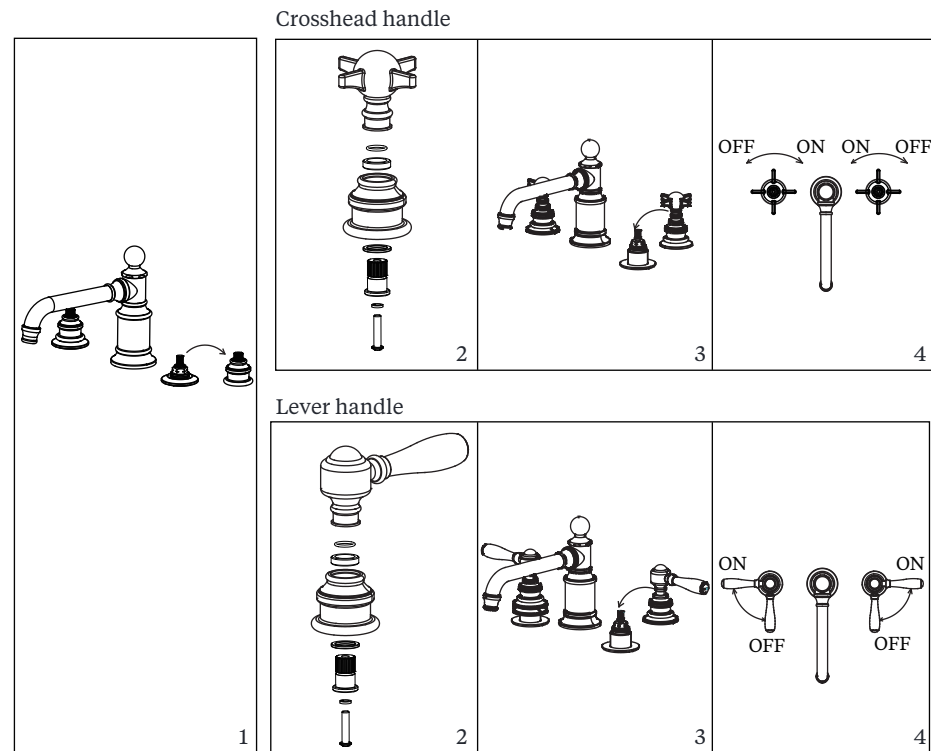
1. Remove the tap handle base (1).
2. Fit the handle (crosshead handle or lever handle) as diagram (2).
3. Fit the assembled handle set onto the tap body as diagram (3).
4. Operation as shown in above diagram (4).

Beautifully
Traditional

ARCADE™

Crosshead handle (pair) for ARCADE 2011,2014,2015,2016,2017,2035,2036 ARCHSN, ARCHSC
ARCHLN, ARCHLC
Crosshead handle (pair) for ARCADE 2012,2013,2018,2019
White ceramic tap levers (pair) ARCH65 NKL, ARCH65 CHR
Gloss black ceramic tap levers (pair) ARC66 NKL, ARC66 CHR
Brass tap levers (pair) ARC67 NKL, ARC67 CHR

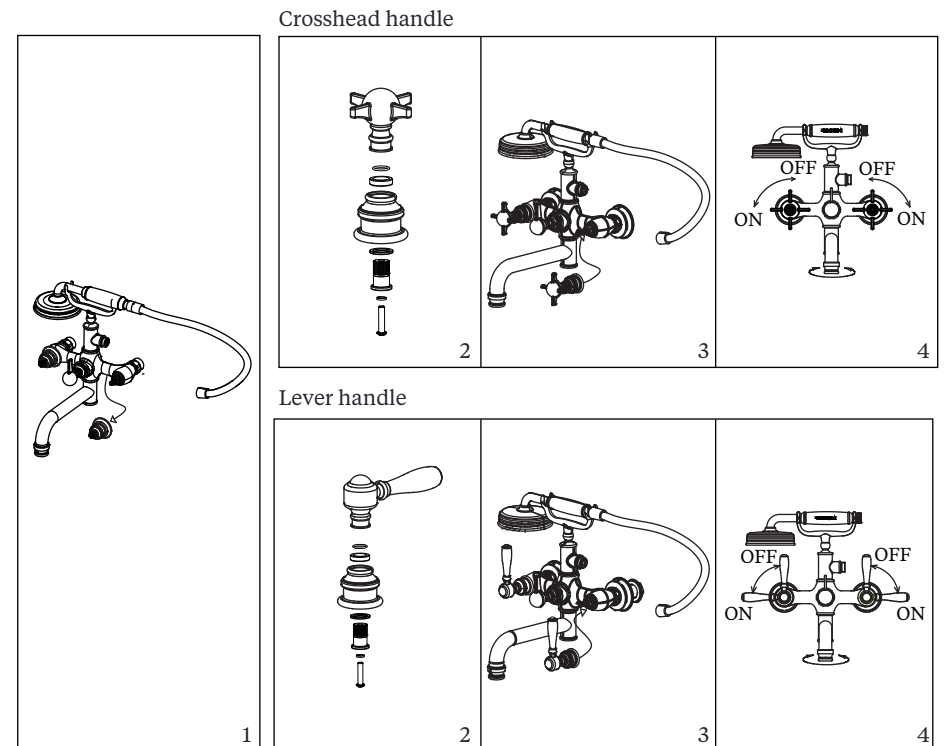
ARC 2015 ARC 2015 CHR Arcade three hole basin mixer taps - deck mounted without pop up waste



1. Remove the tap handle base (1).
2. Fit the handle (crosshead handle or lever handle) as diagram (2).
3. Fit the assembled handle set onto the tap body as diagram (3).
4. Operation as shown in above diagram (4).

INSTALLATION INSTRUCTIONS

ARC 2016NKL ARC 2016CHR Arcade three hole basin mixer taps - wall mounted - without pop up waste
ARC 2018NKL ARC 2018CHR Arcade bath shower mixer - deck mounted with brass handle handset
ARC 2019NKL ARC 2019CHR Arcade bath shower mixer - wall mounted with brass handle handset



1. Remove the tap handle base (1).
2. Fit the handle (crosshead handle or lever handle) as diagram (2).
3. Fit the assembled handle set onto the tap body as diagram (3).
4. Operation as shown in above diagram (4).

www.burlingtonbathrooms.com

Beautifully Traditional

A R C A D E™

Crosshead handle (pair) for ARCADE 2011,2014,2015,2016,2017,2035,2036 ARCHSN, ARCHSC
ARCHLN, ARCHLC
Crosshead handle (pair) for ARCADE 2012,2013,2018,2019
White ceramic tap levers (pair) ARC65 NKL, ARC65 CHR
Gloss black ceramic tap levers (pair) ARC66 NKL, ARC66 CHR
Brass tap levers (pair) ARC67 NKL, ARC67 CHR

ATTENTION

Having first checked all new connections, turn on the mains stop cock, close all taps except the new taps and as the system starts to refill, check for leaks. Once you have satisfied yourself that there are no leaks, switch on the water heating.

MAINTENANCE

Note : Remember to turn off the water supply before commencing any maintenance.

Cleaning the cartridge

The concealed cartridge should give trouble free service, but in the event of any problem, service is straight forward.

To remove the cartridge

Unscrew the top of the tap and then use a suitable adjustable spanner (not supplied) to loosen the nut. Take the cartridge out and wash it with clean running water. Make sure any trapped debris has been removed. Dry and lightly grease the seal (only use silicone grease). Refit the cartridge followed by the handle body and lever.

CLEANING

The nickel/chrome plate we use on our taps is very durable, nevertheless care should be taken when cleaning. It should be cleaned only with warm soapy water followed by rinsing with clean water and drying with a soft cloth. All finishes are vulnerable to acid attack and some strong substances such as household cleaners, disinfectants, denture cleaners, hair dyes, wine making and photographic chemicals can cause the surface to go black or peel.

THE QUALIFICATIONS

This product should only be fitted by a qualified plumber to the equivalent of UK NVQ (National Vocational Qualification) or SNVQ (Scottish National Vocational Qualification) Level 3. Should the installation be completed by a non-qualified person then the guarantee may be considered invalid.