

SPECIFICATION SHEET

COLLECTION: ATMOSPHERE

PRODUCT CODE: ATM-MFSRKWO-CP



DESCRIPTION:

atmosphere air-injected multi-function slide rail shower kit with smooth hose with

- 5 function air-injected handset
- integrated outlet
- rub-clean
- 900mm slide rail
- 150cm smoothflex anti-twist shower hose
- wall mounted

minimum operating pressure 1.0 bar MP

FINISH:

Chrome

MINIMUM OPERATING PRESSURE:

1.0 bar MP



tel: 01934 744466
email: sales@vado.com
www.vado.com

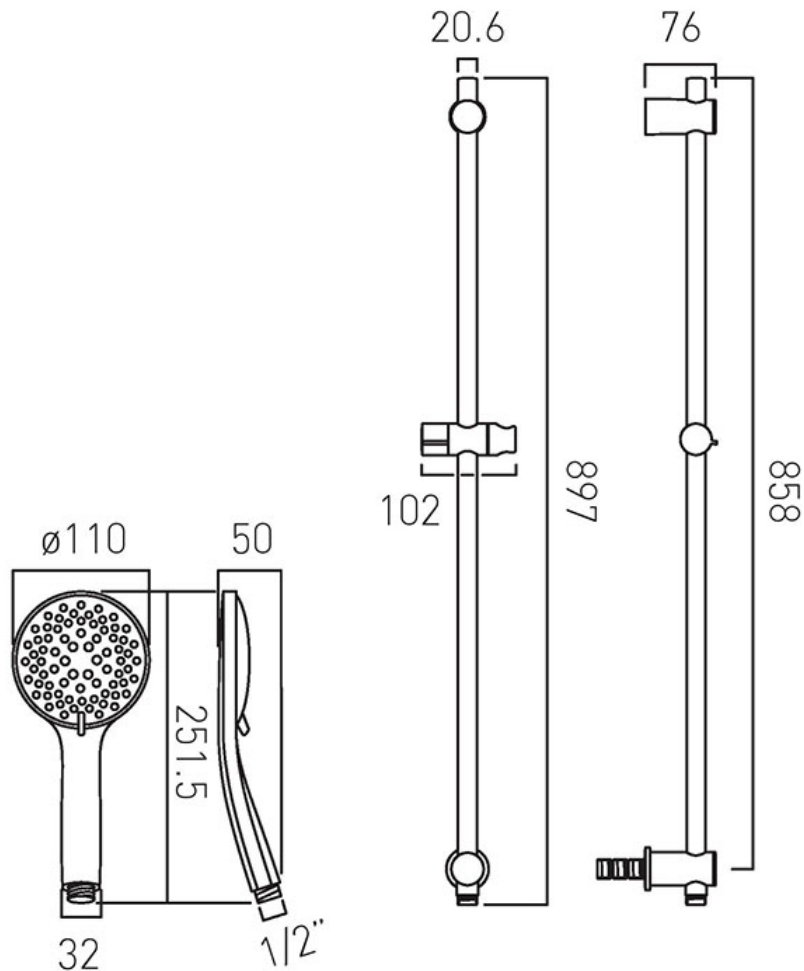
where inspiration flows
taps | showering | accessories



TECHNICAL DRAWING

COLLECTION: ATMOSPHERE

PRODUCT CODE: ATM-MFSRKWO-CP



tel: 01934 744466
email: sales@vado.com
www.vado.com

where inspiration flows
taps | showering | accessories

