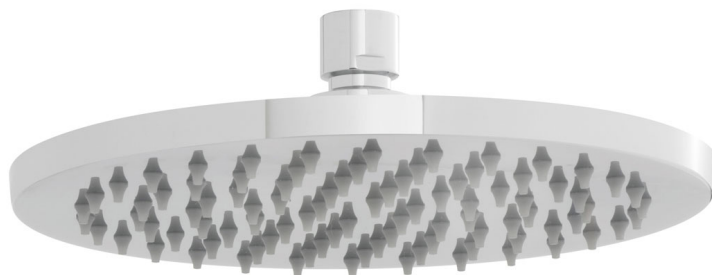


SPECIFICATION SHEET

COLLECTION: ATMOSPHERE

PRODUCT CODE: ATM-HEAD/RO/B-C/P



DESCRIPTION:

atmosphere round aerated shower head
200mm (8") diameter
1/2" female inlet
minimum operating pressure 1.0 bar MP

FINISH:

Chrome

FLOW REGULATOR:

FR-SHOWER/9-C/P

MINIMUM OPERATING PRESSURE:

1.0 bar MP



tel: 01934 744466
email: sales@vado.com
www.vado.com

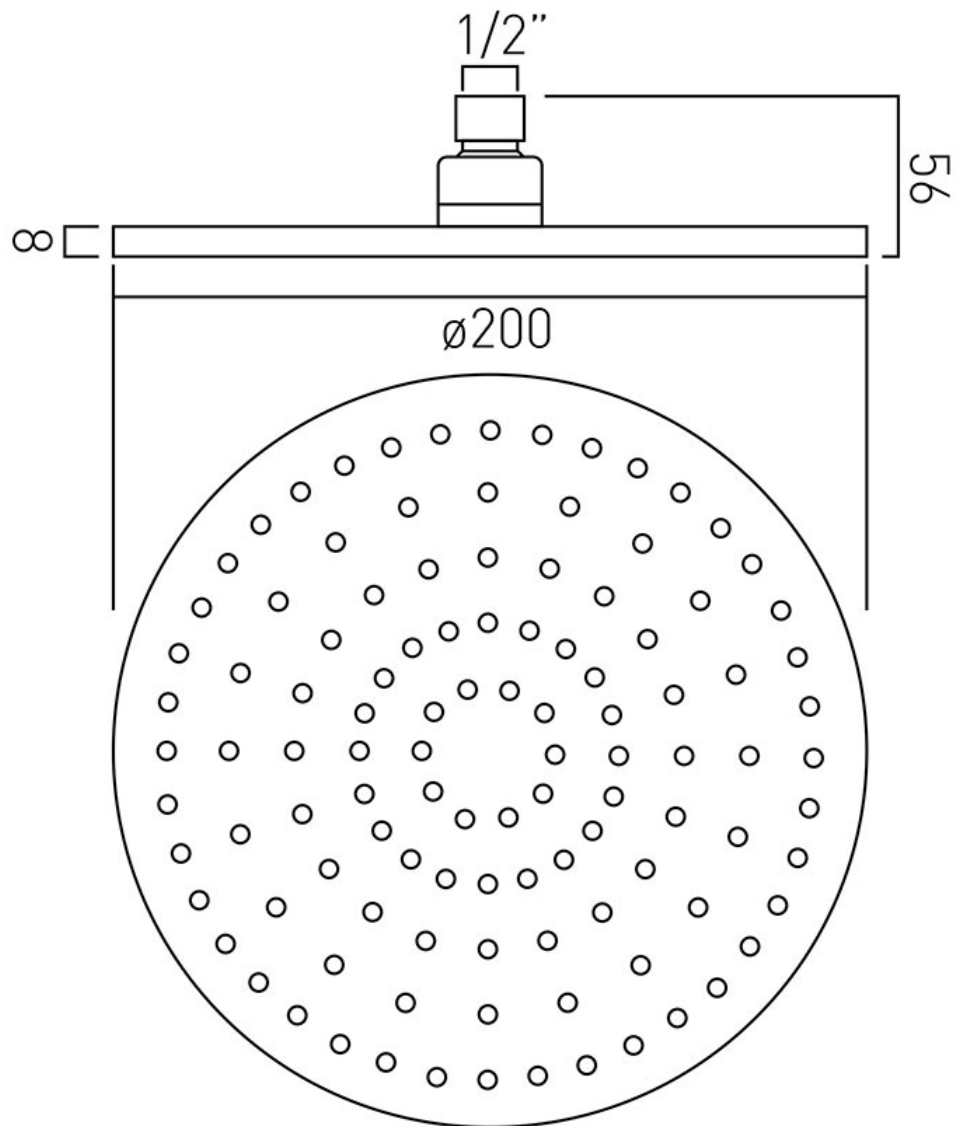
where inspiration flows
taps | showering | accessories



TECHNICAL DRAWING

COLLECTION: ATMOSPHERE

PRODUCT CODE: ATM-HEAD/RO/B-C/P



tel: 01934 744466
email: sales@vado.com
www.vado.com

where inspiration flows
taps | showering | accessories

