

SPECIFICATION SHEET

COLLECTION:

PRODUCT CODE: AST-350-C/P



DESCRIPTION:

mono sink mixer
deck mounted
with swivel spout
with water flow straightener
cold ceramic cartridge AST-VALVE/CD/CL-1/2
hot ceramic cartridge AST-VALVE/CD/HT-1/2
2 x 1/2" (nut) x 300mm flexipipe connections
deck mount drill hole diameter 33mm
minimum operating pressure 0.2 bar LP

FINISH:

Chrome

FLOW REGULATOR:

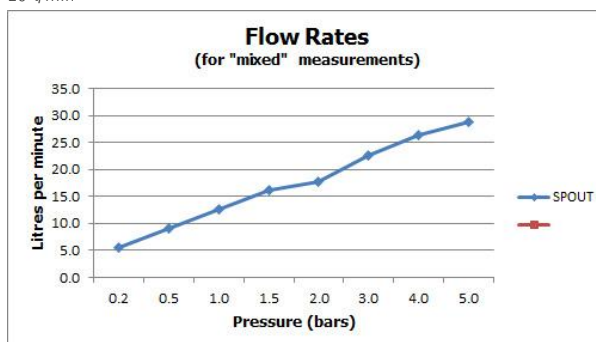
FR-FLEXI/5-PLA

MINIMUM OPERATING PRESSURE:

0.2 bar LP

FLOW RATE AT 3.0 BAR FLOW PRESSURE:

23 l/min



tel: 01934 744466
email: sales@vado.com
www.vado.com

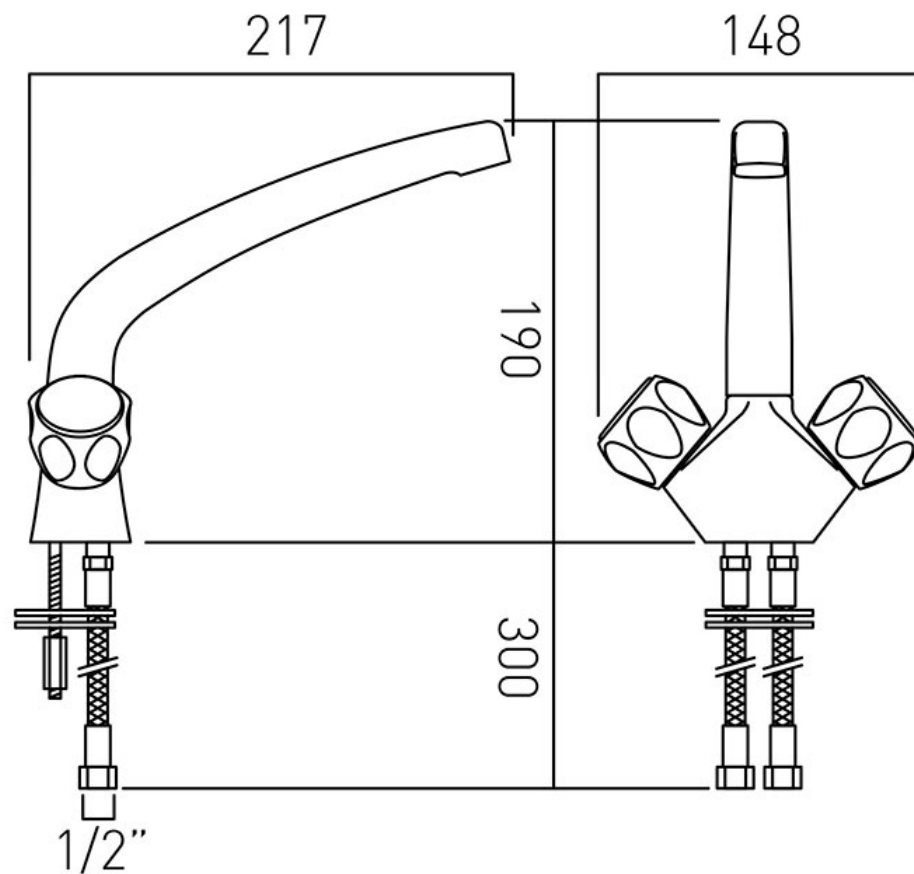
where inspiration flows
taps | showering | accessories



TECHNICAL DRAWING

COLLECTION:

PRODUCT CODE: AST-350-C/P



tel: 01934 744466
email: sales@vado.com
www.vado.com

where inspiration flows
taps | showering | accessories

