

# SPECIFICATION SHEET

**COLLECTION:**

**PRODUCT CODE:** AST-150/CD-C/P



**DESCRIPTION:**

mono sink mixer  
deck mounted  
with swivel spout  
with water flow straightener  
cold ceramic cartridge AST-VALVE/CD/CL-1/2  
hot ceramic cartridge AST-VALVE/CD/HT-1/2  
2 x 1/2" (nut) x 300mm flexipipe connections  
deck mount drill hole diameter 33mm  
minimum operating pressure 0.2 bar LP

**FINISH:**

Chrome

**FLOW REGULATOR:**

FR-FLEXI/5-PLA

**MINIMUM OPERATING PRESSURE:**

0.2 bar LP



tel: 01934 744466  
email: sales@vado.com  
www.vado.com

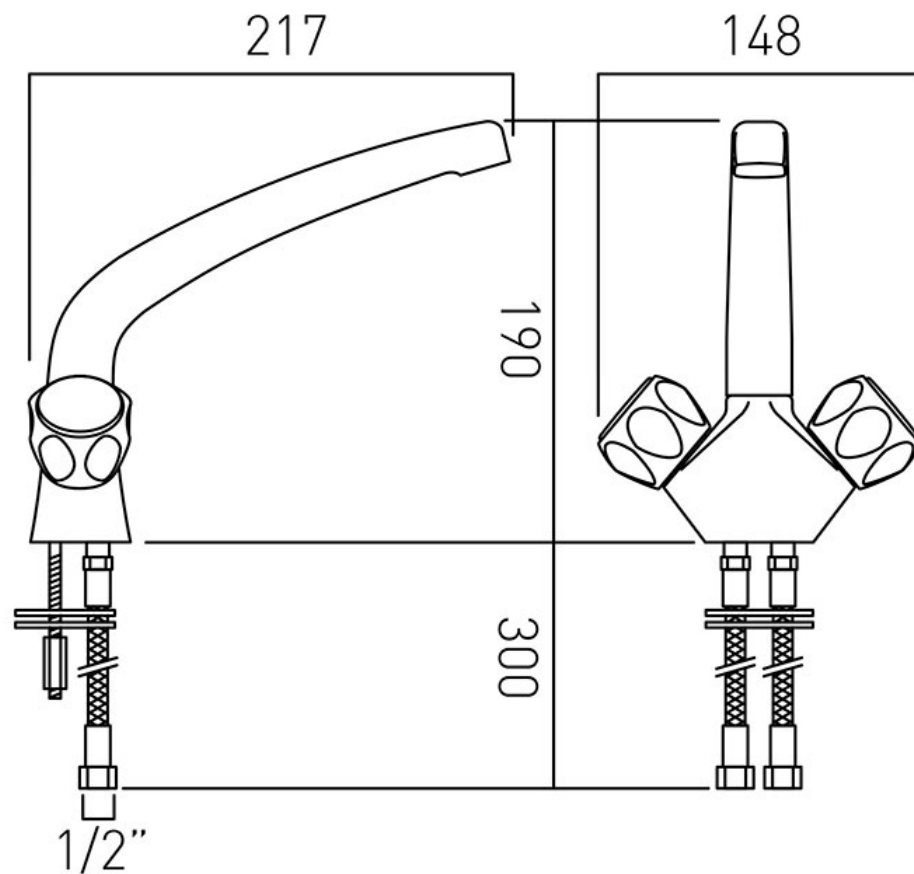
**where inspiration flows**  
taps | showering | accessories



# TECHNICAL DRAWING

**COLLECTION:**

**PRODUCT CODE:** AST-150/CD-C/P



tel: 01934 744466  
email: sales@vado.com  
www.vado.com

**where inspiration flows**  
taps | showering | accessories

