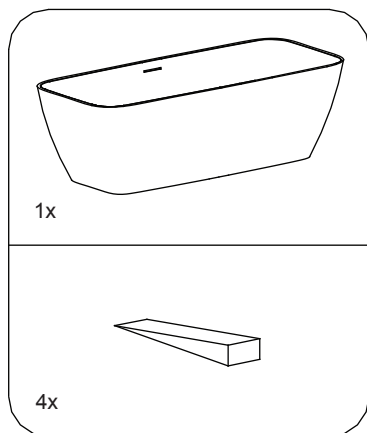


Parts supplied:



Important

- Please unwrap the bath and check it carefully to ensure it has not been damaged in handling or transport.
 - Please check that all parts have been supplied.
 - Assemble bath on a mat to protect against damage to bath surface.
 - Please do not remove the old fixture before you unpack and inspect the new unit.
 - Store the bath in a safe place until you begin installation to avoid damage.
 - Any installation should be carried out by a qualified tradesman with knowledge of statutory plumbing requirements in your area.
 - This product requires a two person lift – use proper lifting techniques.
 - This installation guide does not include details of waste connection; final decision about installation of waste connection should be taken by a suitably qualified person.
- ⚠ Do NOT overtighten the waste as this may cause long term damage to the bath. We recommend to use a torque wrench to tighten the waste by using a torque force between 25 Nm and 50Nm.**

Care and Maintenance

Repairing a scratch: If any scratches occur during installation these can be removed by rubbing with a 800 grit waterproof abrasive paper and water. For best results limit sanding to the smallest possible area around the scratch. It may be possible to polish very fine scratches away without using abrasive papers: scrubbing gently with a soft brush or plastic pad (not metal scouring pad) and a mildly abrasive cream cleaner. Afterwards scrub the whole area with plenty of clean water.

Everyday cleaning

We recommend a non-abrasive bathroom cleaner.

Warning

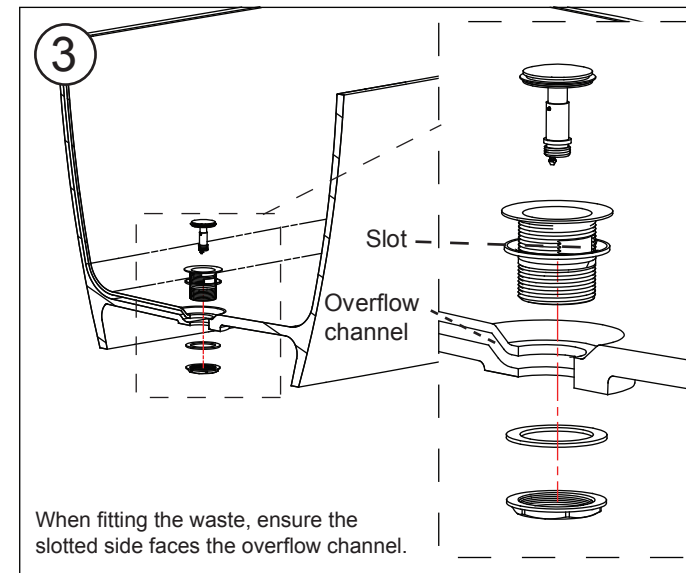
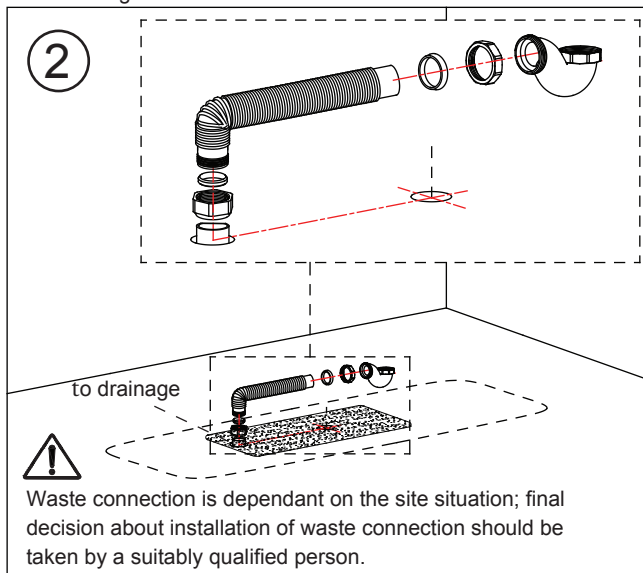
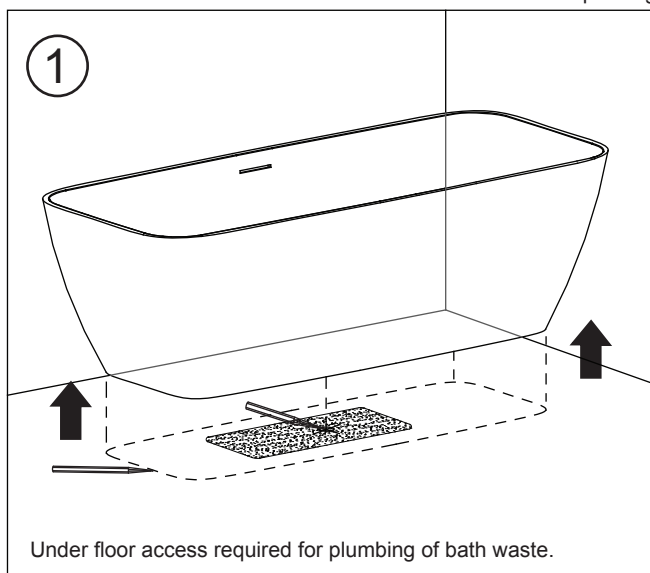
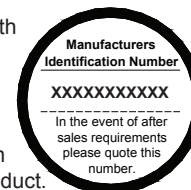
Never use cleaners / bleach products specifically manufactured for WC bowl cleaning as they may damage your bath. In addition to these we strongly recommend that applying hair colouring is also not used over the bath as it may de-colour the natural stone.

Do not drill through the side of the bath for the waste connection. Waste pipe is through floor access only.

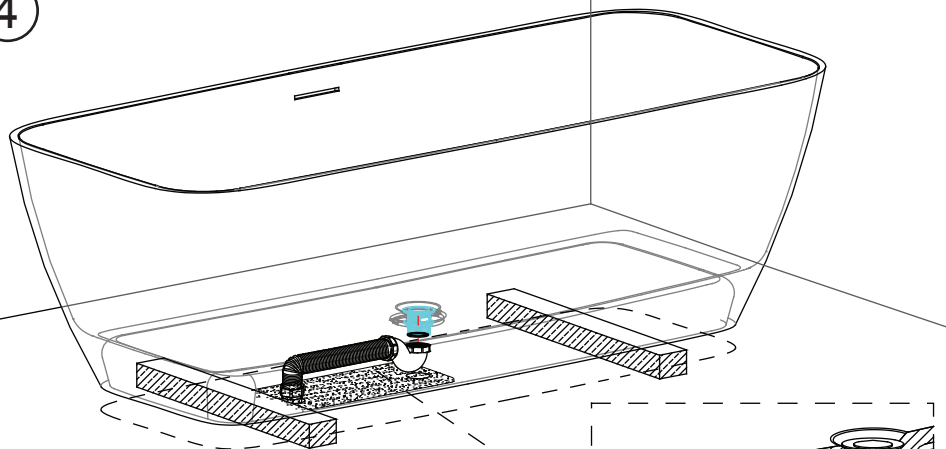
When using underfloor heating please take care not to put the heating pipes/mats underneath the bath area. The bath should not sit on a heated floor.

Bath mat or suction pad might cause damage to the surface over time and must be avoided.

Please place your bath identification number here and keep this paperwork in a safe place as you will need this if a problem occurs with your product.

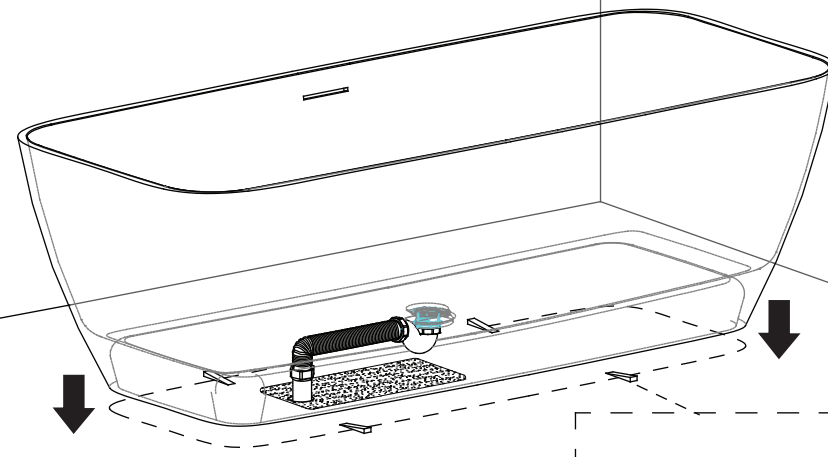


4



Place the bath on two wooden blocks over the waste connections. Connect the waste. Fill the bath with water.

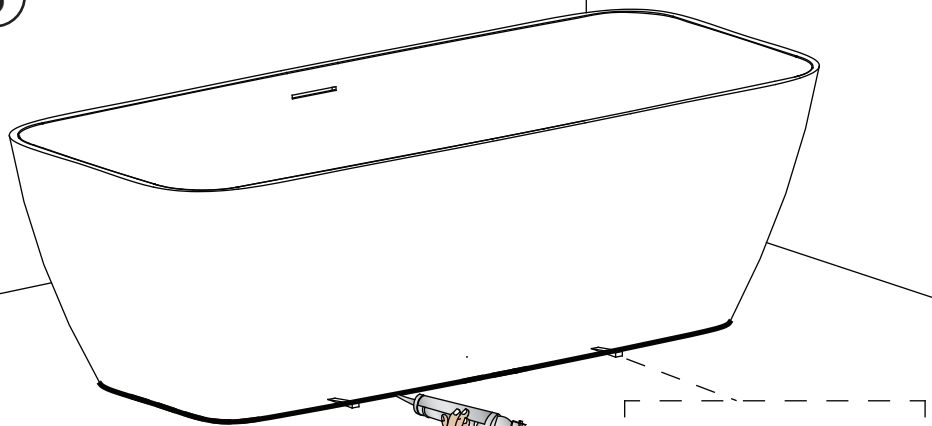
5



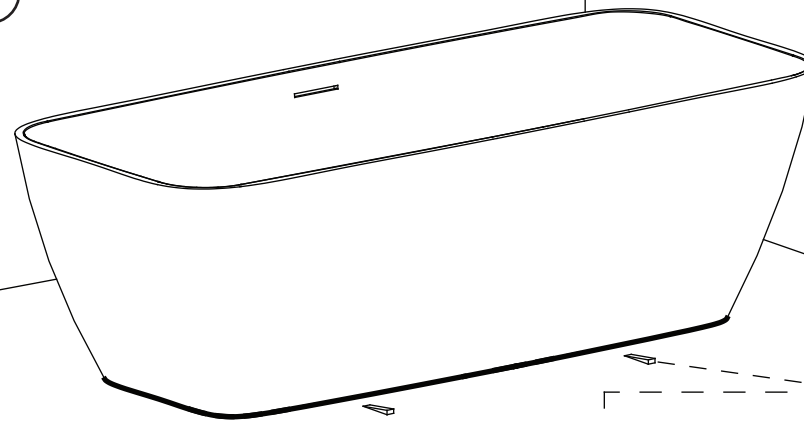
1. Do not drill through the side of the bath for the waste connection, the waste pipe does need access through floor level only.
2. Do not place underfloor heating directly below the product.

Place the wedges in position.

6



7



The wedges can now be disposed of.