

SPECIFICATION SHEET

COLLECTION: AQUABLADE

PRODUCT CODE: AQB-RO/20-C/P



DESCRIPTION:

aquablade single function slimline easy clean round shower head
1/2" female inlet
minimum operating pressure 0.2 bar LP

FINISH:

Chrome

FLOW REGULATOR:

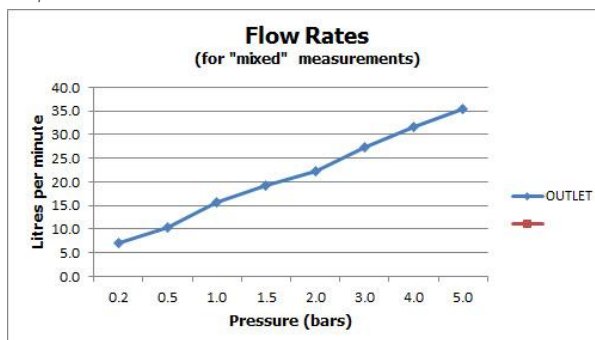
FR-SHOWER/9-C/P

MINIMUM OPERATING PRESSURE:

0.2 bar LP

FLOW RATE AT 3.0 BAR FLOW PRESSURE:

27 l/min



tel: 01934 744466
email: sales@vado.com
www.vado.com

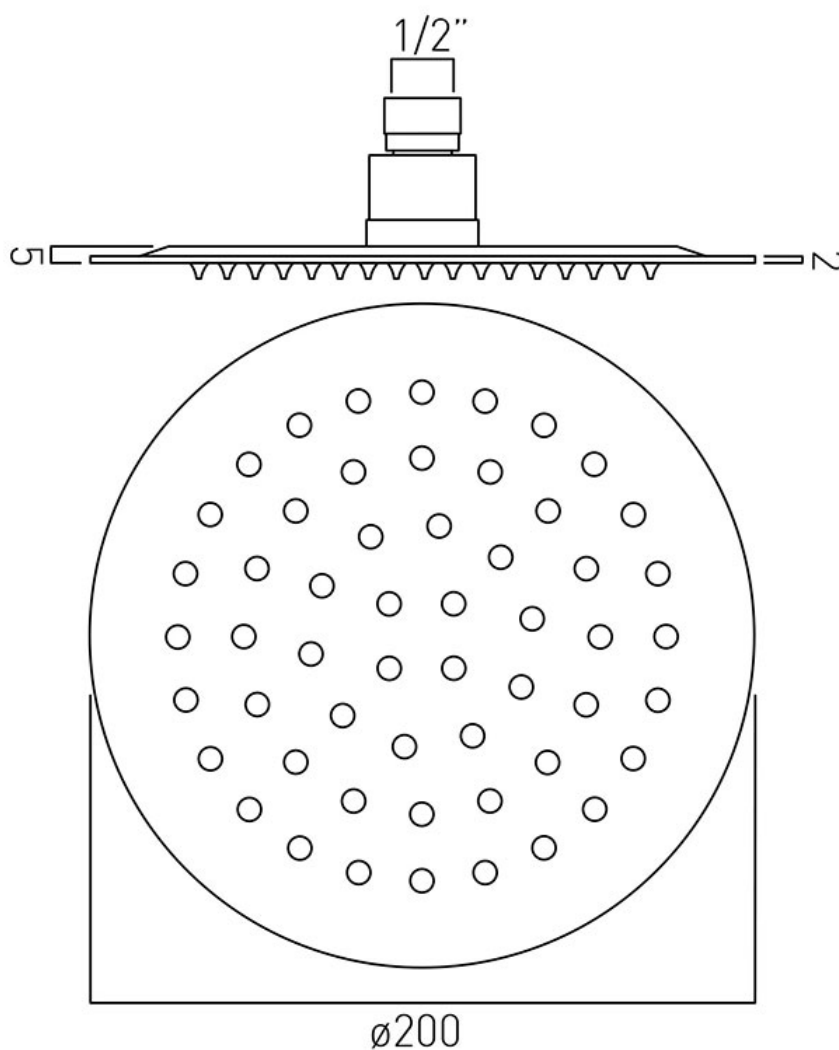
where inspiration flows
taps | showering | accessories



TECHNICAL DRAWING

COLLECTION: AQUABLADE

PRODUCT CODE: AQB-RO/20-C/P



tel: 01934 744466
email: sales@vado.com
www.vado.com

where inspiration flows
taps | showering | accessories

