

Concept Air Project Basin Mixer No Waste

ILLUSTRATED

A7064 Concept Air project basin mixer no waste single lever

ILLUSTRATED PRODUCT DETAILS

Weights

A7064 1.43 KG

Finishes

A7064  Chrome (AA)

Materials

A7064 Chrome Plated Brass

Flow rates

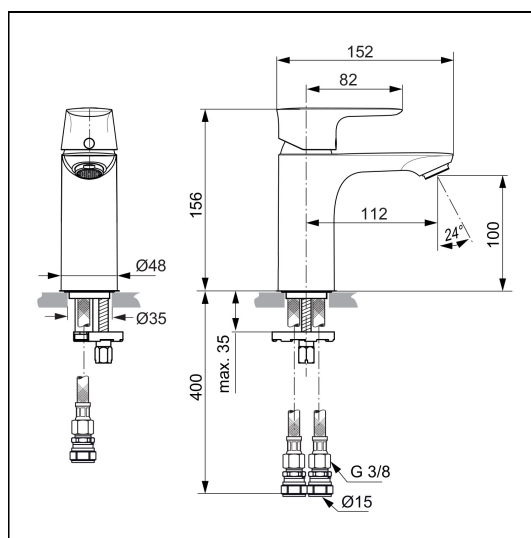
A7064 5 Litres per minute @ 3 bar pressure

Designer

Quadro

Special Notes

Suitable for balanced supplies. Inlets with flexible hoses and connections for 15mm copper tails. Consideration should be given to safe hot water delivery and the use of an appropriate temperature reduction device. Fitted with a 5 lpm outlet flow regulator.



ACCREDITATIONS

A7064(AA)

