

Concept Air 2H Bath Shower Mixer

ILLUSTRATED

A7052 Concept Air 2 tap hole bath shower mixer, single lever

ILLUSTRATED PRODUCT DETAILS

Weights

A7052 3.69 KG

Finishes

A7052  Chrome (AA)

Materials

A7052 Chrome Plated Brass

Flow rates

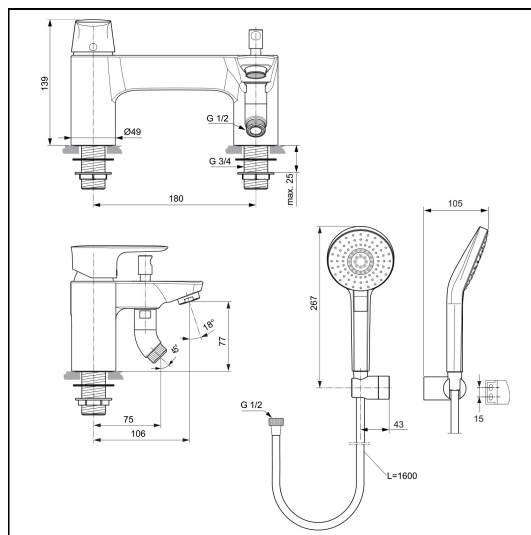
A7052 25.5 Litres per minute @ 3 bar pressure

Designer

Quadro

Special Notes

Suitable for balanced supplies. Inlets 3/4in BSP male coned for copper. Supplied with brass back nuts. Consideration should be given to safe hot water delivery and the use of an appropriate temperature reduction device. Unregulated flow rate 15 litres per minute at 1 bar.



ACCREDITATIONS

A7052(AA)

