

Concept Air 2H Bath Filler

ILLUSTRATED

A7051 Concept Air 2 tap hole bath filler single lever

ILLUSTRATED PRODUCT DETAILS

Weights

A7051 2.83 KG

Finishes

A7051  Chrome (AA)

Materials

A7051 Chrome Plated Brass

Flow rates

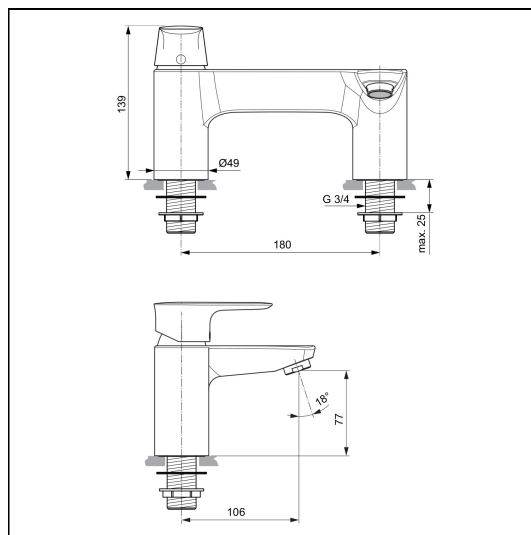
A7051 26 Litres per minute @ 3 bar pressure

Designer

Quadro

Special Notes

Suitable for balanced supplies. Inlets 3/4in BSP male coned for copper. Supplied with brass back nuts. Consideration should be given to safe hot water delivery and the use of an appropriate temperature reduction device. Unregulated flow rate 15 litres per minute at 1 bar.



ACCREDITATIONS

A7051(AA)

