

Concept Air Mini Basin Mixer No Waste

ILLUSTRATED

A7048 Concept Air mini basin mixer no waste single lever

ILLUSTRATED PRODUCT DETAILS

Weights

A7048 1.09 KG

Materials

A7048 Chrome Plated Brass

Finishes

A7048  Chrome (AA)

Flow rates

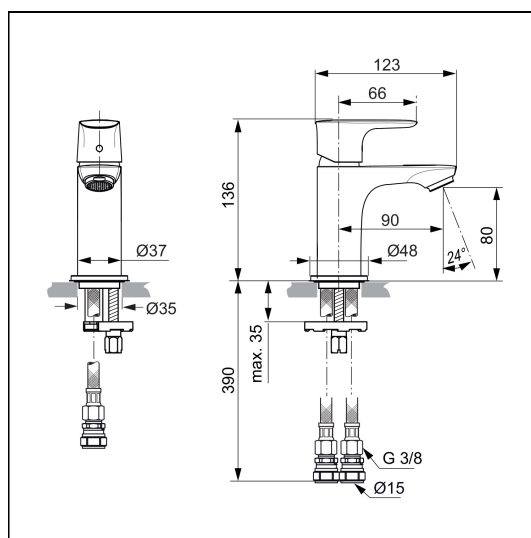
A7048 5 Litres per minute @ 3 bar pressure

Designer

Quadro

Special Notes

Suitable for balanced supplies. Inlets with flexible hoses and connections for 15mm copper tails. Consideration should be given to safe hot water delivery and the use of an appropriate temperature reduction device. Fitted with a 5 lpm outlet flow regulator.



ACCREDITATIONS

A7048(AA)

