

Concept Air Slim Basin Mixer PUW

ILLUSTRATED

A7046 Concept Air slim basin mixer with popup waste, single lever

ILLUSTRATED PRODUCT DETAILS

Weights

A7046 1.44 KG

Materials

A7046 Chrome Plated Brass

Finishes

A7046  Chrome (AA)

Flow rates

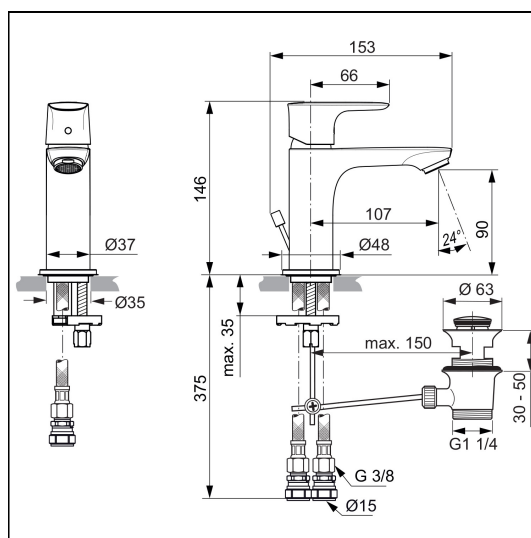
A7046 5 Litres per minute @ 3 bar pressure

Designer

Quadro

Special Notes

Suitable for balanced supplies. Inlets with flexible hoses and connections for 15mm copper tails. Consideration should be given to safe hot water delivery and the use of an appropriate temperature reduction device. Fitted with a 5 lpm outlet flow regulator.



ACCREDITATIONS

A7046(AA)

