

Tesi Single Lever Built-In Basin Mixer

ILLUSTRATED

A6578 Tesi single lever built in basin mixer kit 2, built in, requires kit 1 A5948NU

A5948 Built-in basin mixer kit 1, horizontal

ILLUSTRATED PRODUCT DETAILS

Weights

A6578 1.36 KG

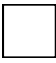
A5948 1.26 KG

Materials

A6578 Chrome Plated Metal

Finishes

A6578  Chrome (AA)

A5948  Unfinished (NU)

Flow rates

A6578 5 Litres per minute @ 3 bar pressure

Designer

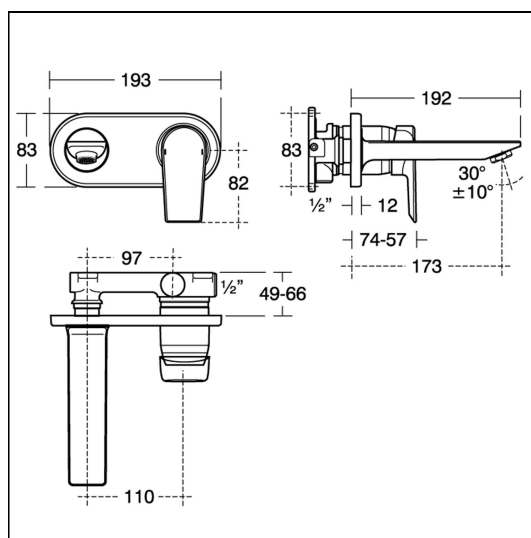
Artefakt Industriekultur

Standards

BS EN817

Special Notes

Suitable for balanced supplies. Inlets with flexible hoses and 15mm compression connections. Factory fitted 5 lpm flow regulator. Consideration should be given to safe hot water delivery and the use of an appropriate temperature reduction device such as A5900AA. Unregulated flow rate 4.7 litres per minute at 0.3 bar.



FEATURES

