



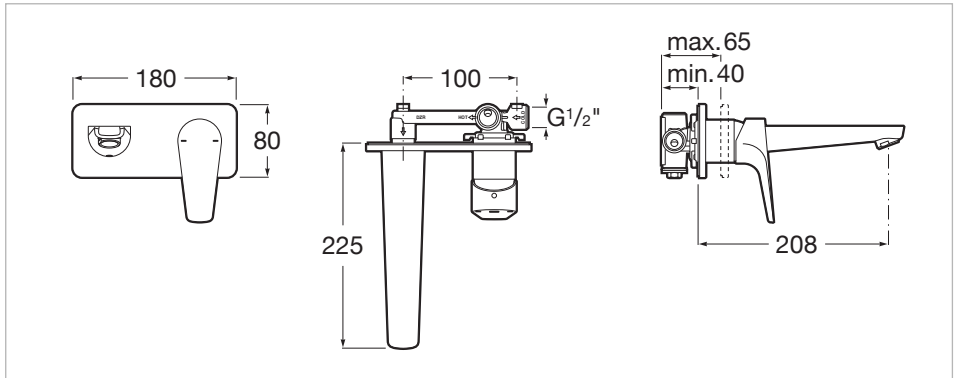
Built-in basin mixer

Application: Basin
 Installation type: Built-in
 Waste not included

Compatible with

525220603 Universal built-in body

Technical drawings



This faucet collection, which stands out for its elegance and versatility, includes flow limiters to 5 litres per minute as well as the Cold Start technology that guarantee greater water and energy savings. Also, with the aim of providing more comfort, the shower mixer can be equipped with a clip-on shelf, allowing you to have your showering essentials close to hand.