

Thermostatic Mixing Valve (TMV) 15mm

ILLUSTRATED

A5900 TMV Thermostatic mixing valve 15mm

ILLUSTRATED PRODUCT DETAILS

Weights

A5900 0.60 KG

Finishes

A5900  Chrome (AA)

Materials

A5900 Chrome Plated Metal

Standards

Meets the requirements of the NHS Model Engineering Specification - D08 for Type 3 Valves. BS EN 1111 & 1287

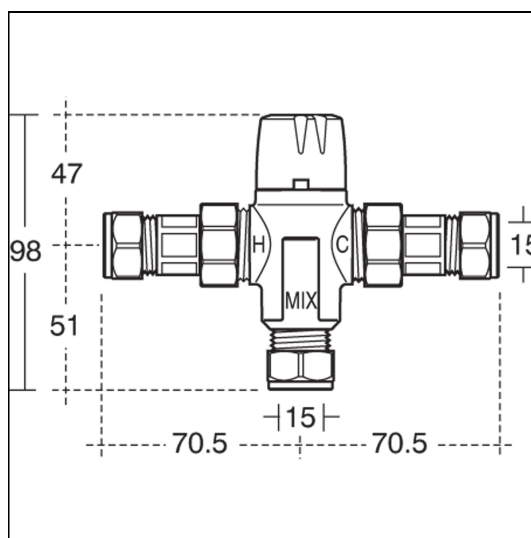
Special Notes

Operating pressures from 0.2 to 5.0 bar, 10 bar static pressure.
Recommended supply temperatures, Hot 52-65 degrees Centigrade, Cold 5-20 degrees

Centigrade. For best results both supplies should be at equal pressures. The valve is eminently suitable for multi point usage. The number of outlets that can be served by one valve is dependent on the flow performance of the terminal fitting selected.

At 1bar 15mm valve could provide the following outlet options:
3 washbasins or 3 showers. (Assumes 8 LPM flow rate per outlet).

At 1bar 22mm valve could provide the following outlet options:
2 baths or 4 washbasins or 4 showers. (Assumes 15LPM for bath outlet).



FEATURES

