

Idealrain Dual Shower System Built-in

ILLUSTRATED

A5834 Idealrain Dual shower system built-in, with M1 Rainshower, fixed riser, M3 handspray and diverter

ILLUSTRATED PRODUCT DETAILS

Weights

A5834 5.30 KG

Materials

A5834 Mixed Material

Finishes

A5834  Chrome (AA)

Flow rates

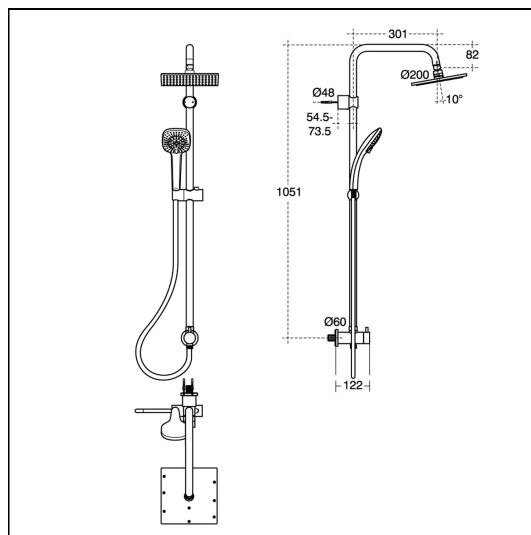
A5834 8 Litres per minute @ 3 bar pressure

Designer

Artefakt Industriekultur

Special Notes

Dual shower system



FEATURES

