

# CTV Built-in Shower Pack With Extended Lever

## ILLUSTRATED

**A5784** CTV EL built-in concentric thermostatic mixer with extended lever & Idealrain M3 shower kit

### ILLUSTRATED PRODUCT DETAILS

**Weights**

**A5784** 5.17 KG

**Finishes**

**A5784**  Chrome (AA)

**Materials**

**A5784** Chrome Plated Brass

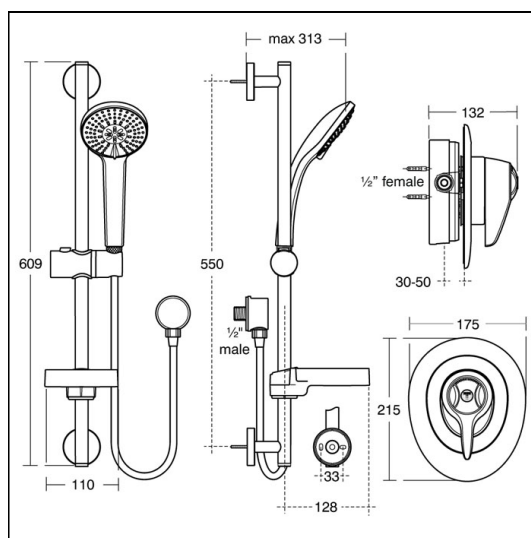
**Flow rates**

**A5784** 8 Litres per minute @ 3 bar pressure

**Special Notes**

Removable 8 Litre per minute Eco flow regulator Flow rate 5 Litres per minute @ .01 bar.

Pack includes a TMV3 approved shower mixer A3085AA



### ACCREDITATIONS



### FEATURES

