

# Idealrain Dual shower system

## ILLUSTRATED

**A5689** Idealrain Dual shower system with M1 rainshower, fixed riser, M3 handspray and diverter for built-in mixers

### ILLUSTRATED PRODUCT DETAILS

**Weights**

**A5689** 4.94 KG

**Finishes**

**A5689**  Chrome (AA)

**Materials**

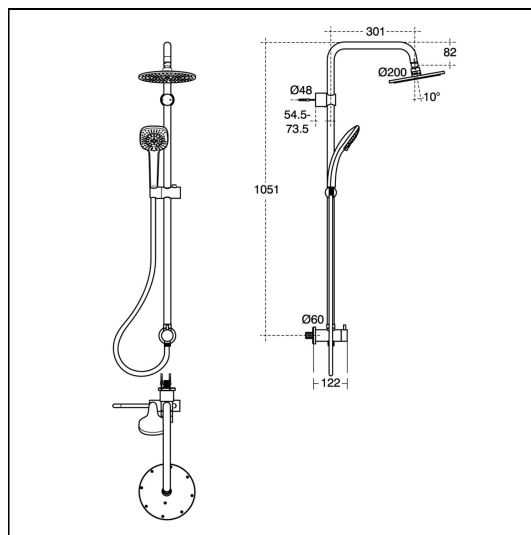
**A5689** Chrome Plated Brass

**Designer**

Artefakt Industriekultur

**Special Notes**

Alternative version available for use with exposed shower mixers A5691AA. Supplied with a 12 lpm Eco flow regulator fitted in the rainshower and an 8lpm Eco flow regulator fitted in the handspray.



### ACCREDITATIONS

