

# VT60US

# TAVISTOCK

## VITORIA 600MM UNDERSLUNG UNIT

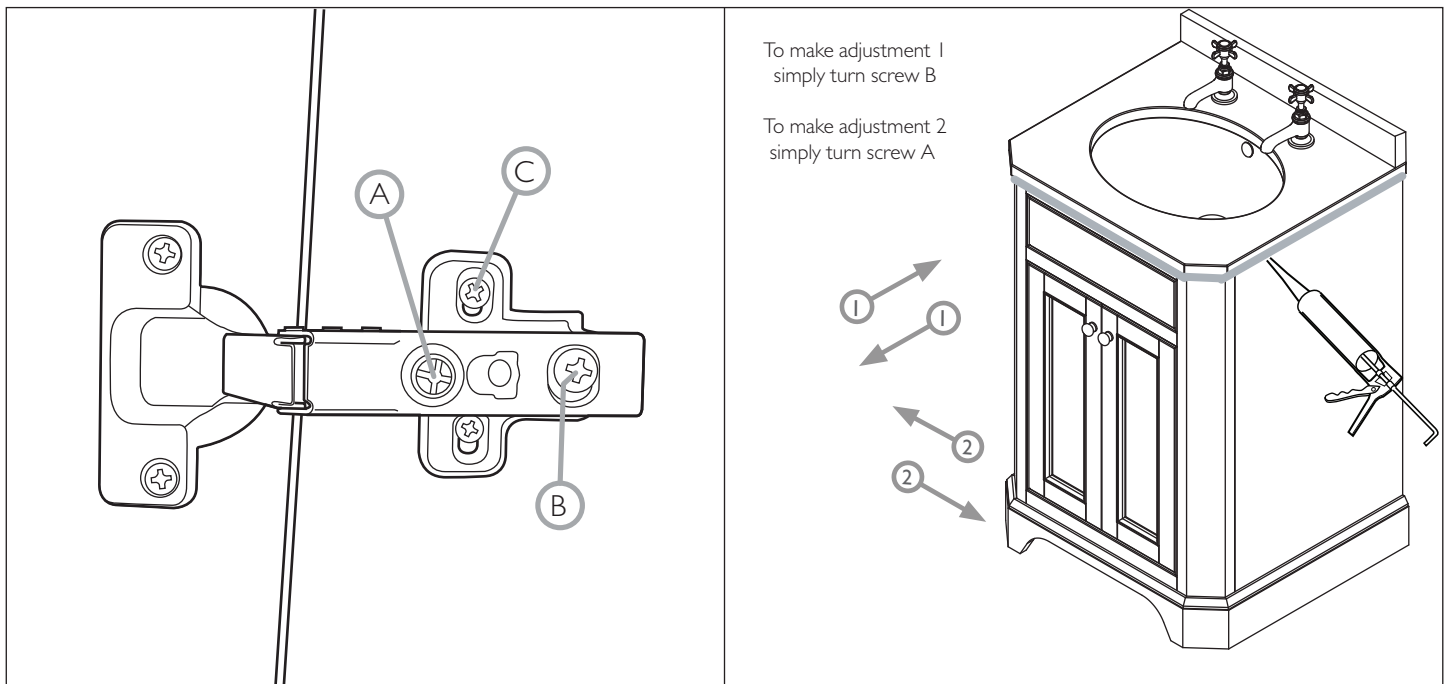
### INSTALLATION & AFTERCARE INSTRUCTIONS

#### Before You Start

It is recommended that the unit, worktop and basin are secured to a suitably reinforced wall to ensure stability. This can be done through the back rail. (Fixings not included).

#### Hinge Adjustment

The unit doors can be adjusted if necessary. There are two adjustment screws on the hinges which make the adjustments shown in the image below. The cloakroom unit comes with the door unattached which allows it to be hung from either side of the unit. Pilot holes in the door frame allow the door and hinges to be attached to the chosen side using screws C in the image below. These screws also offer a small amount of up/down adjustment.



#### Fitting Worktop and Basin

We recommend securing the worktop to the furniture using a silicone sealant.

#### Furniture Aftercare Instructions

As with all wooden furniture, this product should be treated with care.

#### We Recommend...

- Wipe away any water splashes or condensation after use. Excessive exposure to water will deteriorate the furniture
- All bathrooms should be well ventilated with a suitable extractor fan
- Clean with a soft damp cloth only
- Use a wax free polish if one must be used
- For removal of lime scale deposits use a suitable proprietary cleaner

#### Please DO NOT...

- Do not scrub or scour
- Do not use abrasive cleaning agents

#### Replacement Components

Should you require any replacement components for this product please contact Tavistock using the contact details below.