

TECHNICAL DATA SHEET

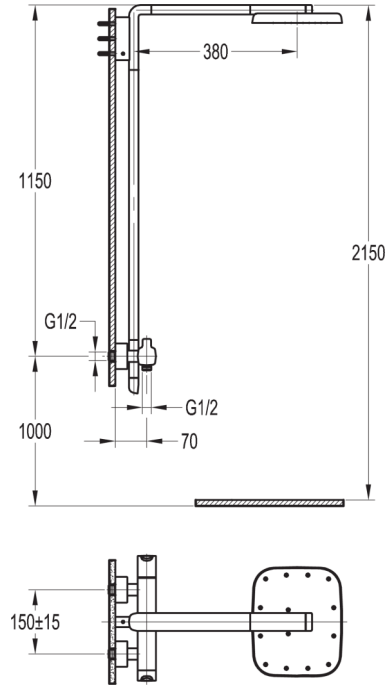
URBAN THERMOSTATIC SHOWER COLUMN WITH HAND SHOWER SET AND TWO FUNCTION OVER HEAD SHOWER

Category:  
Range:  
Weight:

Shower Packs  
Urban  
26kg

Guarantee:  
Sub Category:

10 year  
Exposed Thermostatic



Dimensions are in millimetres except thread sizes which are BSP imperial.

**Features**

- The minimum operating pressure requirement for this product is 1.0 bar (HP)

**Notes**

Our guarantee is subject to the product having been installed, used and maintained in accordance with our instructions. All working parts (such as hinges, ceramic disks, cartridges, seals and cistern fittings), which are subject to normal wear and tear, are covered for 36 months from proof of purchase date. Our guarantee applies to the original purchaser and is non-transferable. Our guarantee is only applicable in the UK and ROI. This does not affect your statutory rights.

We recommend that a pressure reducing valve is fitted in installations where the water supply pressure exceeds 3 bar. Pressure in excess of 3 bar could reduce the working life of this product and invalidate the guarantee.

Information is provided for guidance only and is non-binding. All measurements are approximate and subject to standard tolerances. We reserve the right to change product specifications without prior notification. This data sheet was published on 27th November 2020.