

URINAL's

Series 600 Partition Urinal

RAK
CERAMICS

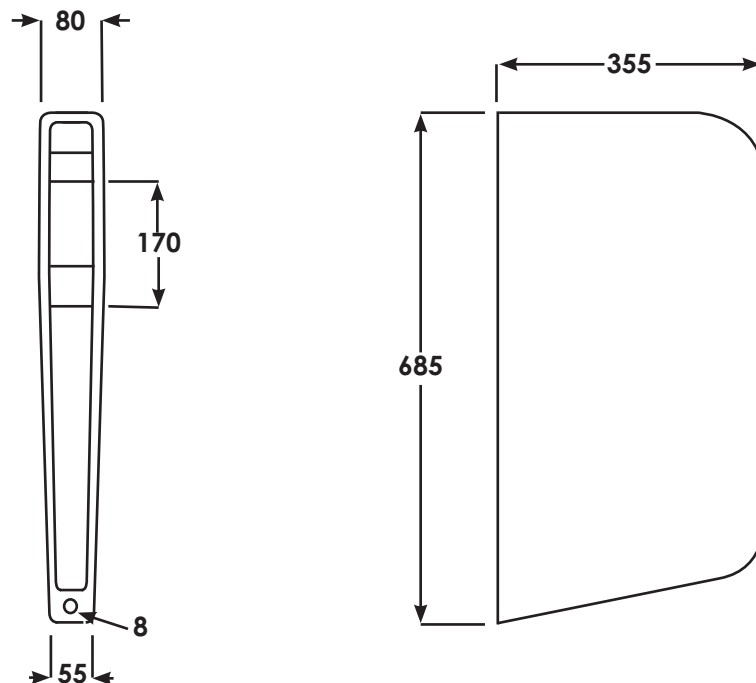


SPECIFICATION/CODE REFERENCE

Please use the reference codes shown below:

URIDIV

SIZE	685 x 355 x 80 mm
MATERIAL	Vitreous China
WEIGHT	11.50 kg
COLOURS	White
BRACKETS	Supplied with brackets and screws
WARRANTY	25 Years



Dimensions: All measurements are in millimeters and are subject to normal manufacturing variations.
Note: Due to a continuing development programme to improve design and performance, the manufacturer reserves all rights to vary specifications without prior informations. Please note accessories are for photographic use only.

Tel: 01730 237850 Fax: 01730 263210. RAK Ceramics, Bradford House, Frenchmans Road, Petersfield, Hampshire GU32 3AW

Contact us at: info.uk@rakceramics.com / Visit us at: www.rakceramics.com 2017