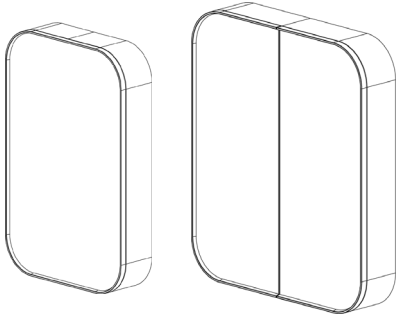


# Theory



## Box Contents:

Theory Cabinet – 3x glass shelves | 1x Wall hanging bracket | 3x wall plugs | 3x screws | Instructions booklet

## Materials

*Carcass:* Extruded Aluminium | 5mm mirror back

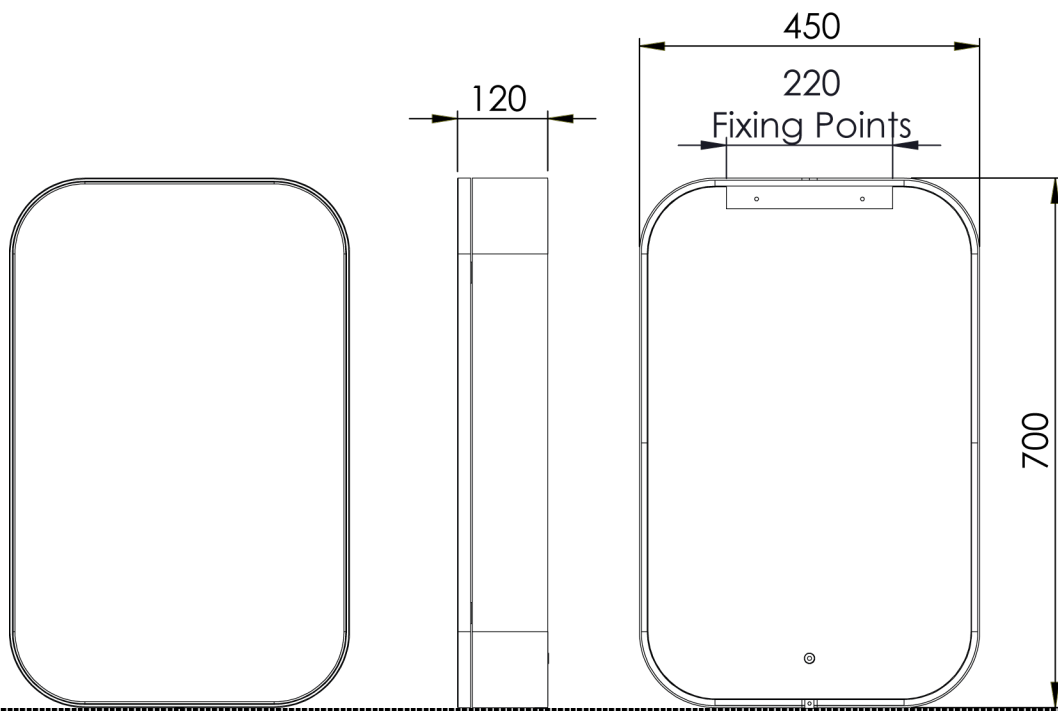
*Glass:* 5mm PVC Backed

<b>FAQ's:</b>	<b>Units</b>	<b>TYC045</b>	<b>TYC060</b>
Internal dimensions (L x W x D)	mm	416 x 666 x 89	566 x 466 x 89
Shelf dimensions (L x W x D)	mm	410 x 85 x 5	559 x 85 x 5
Max shelf spacing	mm	70	
Distance between door hinges	mm	422	
Individual door dimensions (L x W x D)	mm	450 x 700 x 17.5	299 x 700 x 17.5
Door opening angle	°	105 degree	
Depth with door fully open	mm	524	372
What is the thickness of the mirror glass?	mm	6mm	

\*Dimensions are subject to change, customers are advised to measure actual product before commencing installation.

\*\*Fixing point dimensions are for guidance only/the positions of wall fixing must be checked when product is received.

**TYC045**



**TYC060**

