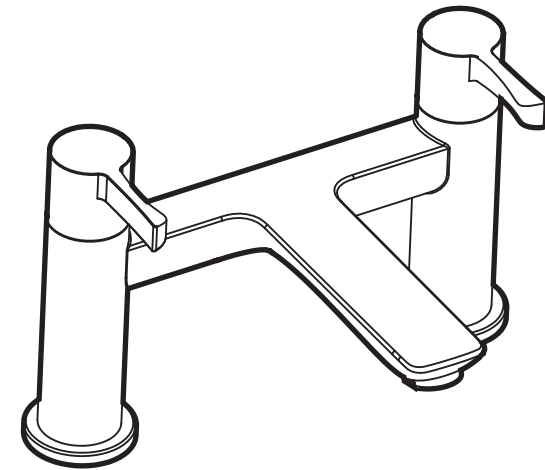


TRV32



REVIVE BATH FILLER INSTALLATION & AFTERCARE INSTRUCTIONS

Retain for future reference

REVIVE BATH FILLER

INSTALLATION & AFTERCARE INSTRUCTIONS

Installation Procedure

1. Prior to installation flush out the pipe work to remove debris and then ensure the water supply is turned off.
2. Refer to diagram and ensure all components are present.
3. Fit the bath filler to the bath ensuring the rubber washer and fixing nut are on the underside of the bath.
4. Connect to the water supply ideally applying PTFE tape to the threads to form a watertight seal. The hot water supply should always be connected to the left hand leg.
5. Fully open both valves and allow to run for approximately 1 minute to fully flush the system.
6. Check all connections for leaks.

Installation Procedure

Whilst this item has a high quality durable finish, it should nevertheless be treated with care. Surfaces should be cleaned using only a soft damp cloth and clean water & dried using a soft cotton cloth. Bath cleaning products, even non-scratch ones could damage the finished surface.

5 Year Guarantee

We have complete confidence in this Tavistock product and as such it is offered with a 5-year guarantee against defects in manufacture. The guarantee requires that this product be used in the manner for which it was intended and that it is installed & maintained in accordance with the fitting instructions and local water bylaws. The guarantee covers products in domestic use only. The guarantee is invalidated should the mixer be damaged by water borne debris. Make sure that supply pipes are clear of any debris prior to installation, this is particularly important on new plumbing installations. In the unlikely event that this product should fail during the guarantee period we will either replace the faulty part or the complete unit as appropriate.

Customer Services

Tavistock, Brassmill Lane Trading Estate, Bath, BA1 3JF
t. 01225 787 870 e. info@tavistock-bathrooms.co.uk w: www.tavistock-bathrooms.co.uk

Basin Mixer Installation

