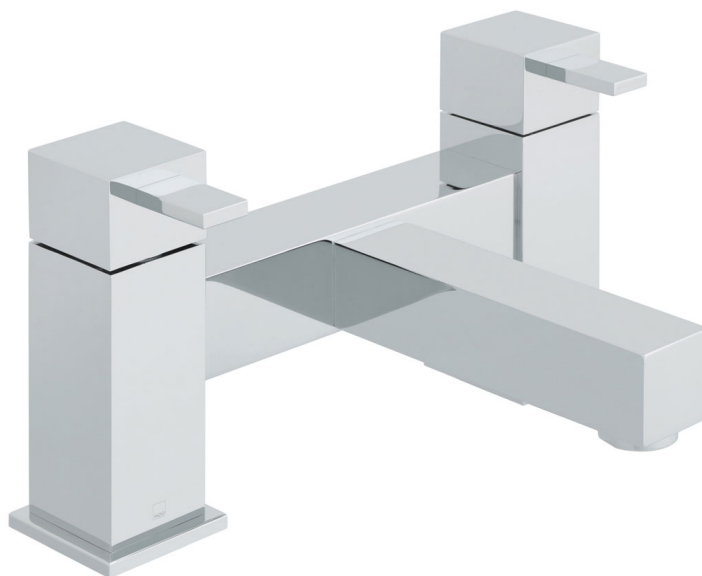


# SPECIFICATION SHEET

**COLLECTION:** Té

**PRODUCT CODE:** TE-137-C/P



**DESCRIPTION:**

2 hole bath filler  
deck mounted  
with water flow straightener  
cold ceramic cartridge TE-VALVE/CD/CL-3/4  
hot ceramic cartridge TE-VALVE/CD/HT-3/4  
2 x 3/4" x 55mm fitted tails  
deck mount drill hole diameter 2 x 28-30mm  
minimum operating pressure 0.2 bar LP

**FINISH:**

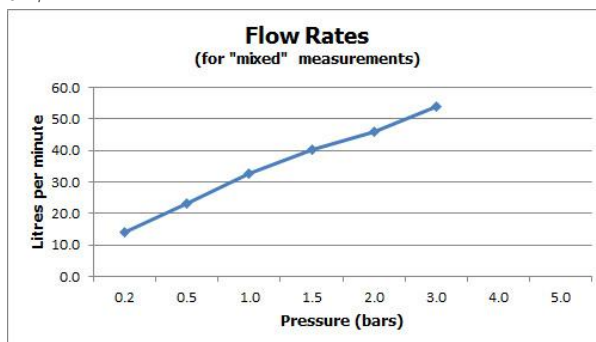
Chrome

**MINIMUM OPERATING PRESSURE:**

0.2 bar LP

**FLOW RATE AT 3.0 BAR FLOW PRESSURE:**

54 l/min



tel: 01934 744466  
email: sales@vado.com  
www.vado.com

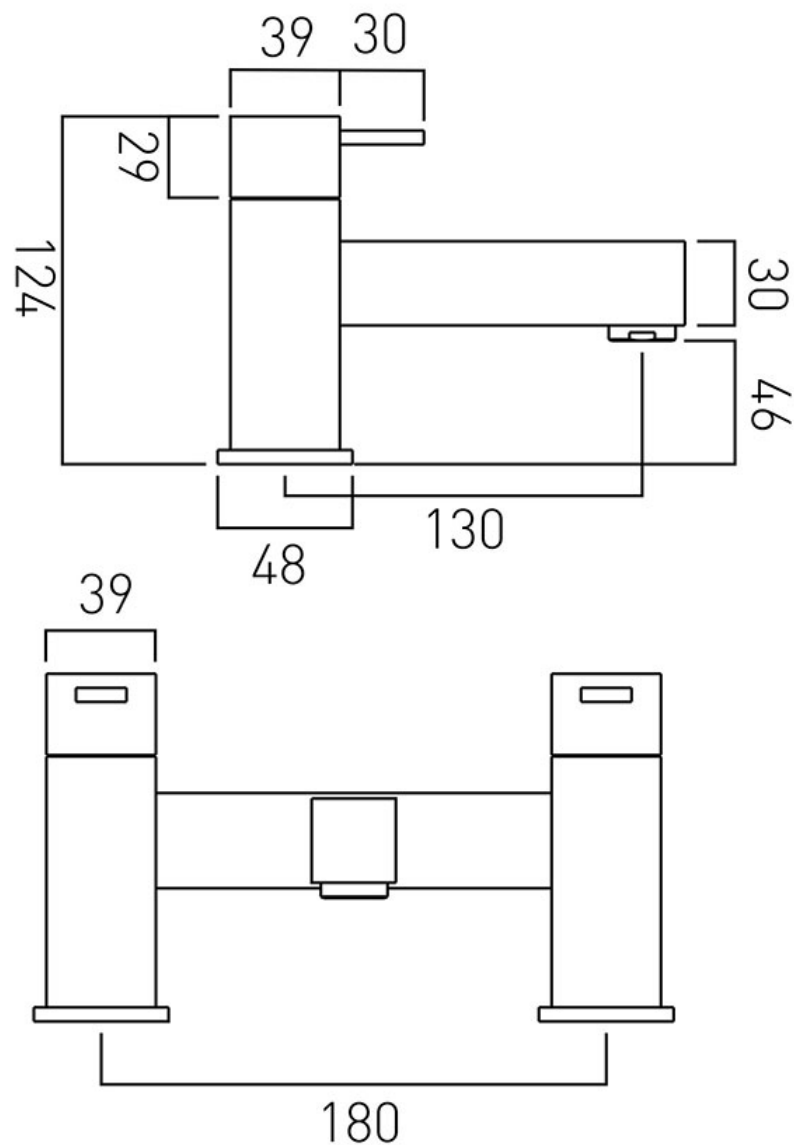
**where inspiration flows**  
taps | showering | accessories



# TECHNICAL DRAWING

COLLECTION: Té

PRODUCT CODE: TE-137-C/P



tel: 01934 744466  
email: sales@vado.com  
www.vado.com

**where inspiration flows**  
taps | showering | accessories

