

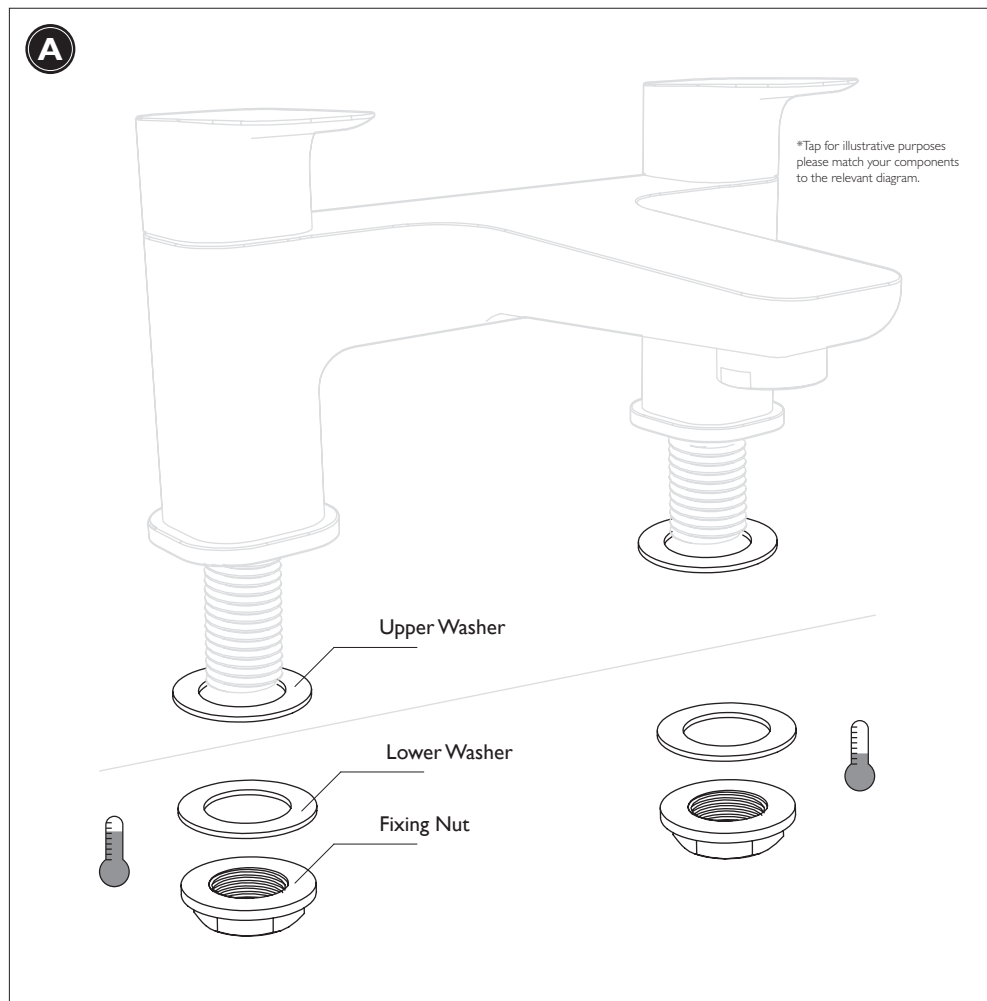
BASIN TAPS, BATH FILLER, BATH SHOWER MIXER

INSTALLATION & AFTERCARE INSTRUCTIONS

This guide covers the installation of all Tavistock basin taps, bath fillers and bath shower mixer variants. Please select the installation diagram suited to the basin mixer you have purchased. Taps shown are for illustrative purposes only.

Please retain for future reference.

For Installation of Bath Filler & Bath Shower Mixer



1. Prior to installation flush out the pipe work to remove debris and then ensure the water supply is turned off.

2. Refer to diagram and ensure all components are present.

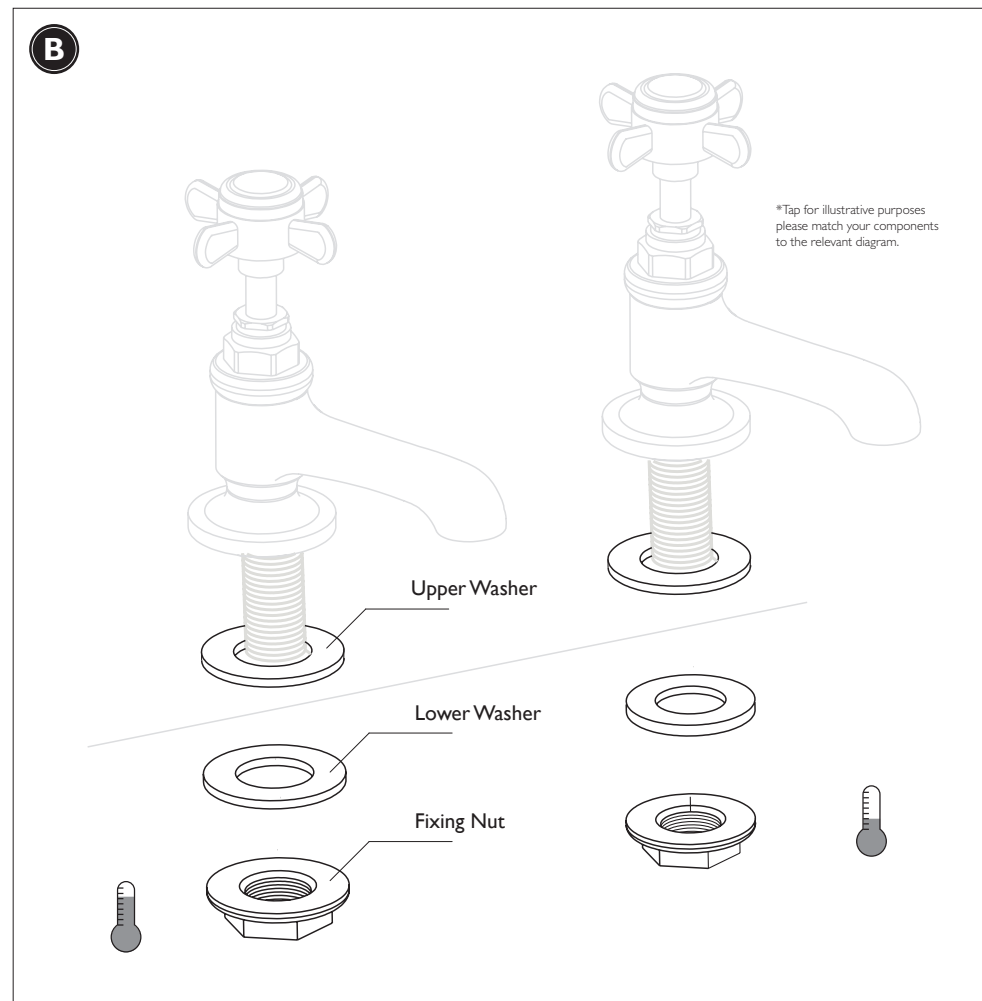
3. Fit the bath filler to the bath ensuring the washers and fixing nut are installed as shown.

4. Connect to the water supply ideally applying PTFE tape to the threads to form a watertight seal. The hot water supply should always be connected to the left hand leg.

5. Fully open both valves and allow to run for approximately 1 minute to fully flush the system.

6. Check all connections for leaks.

For Installation of Basin Taps



1. Prior to installation flush out the pipe work to remove debris and then ensure the water supply is turned off.

2. Refer to diagram and ensure all components are present.

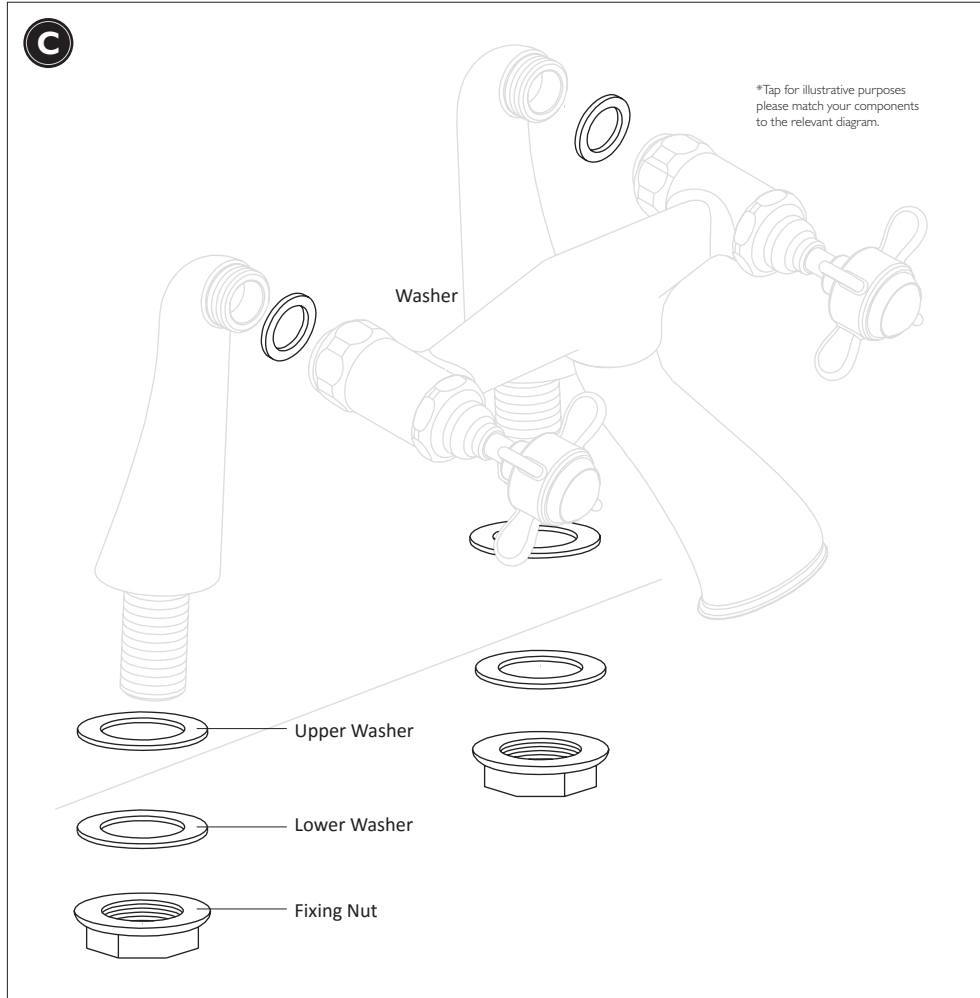
3. Fit the taps to the basin ensuring washers and fixing nut are installed as shown.

4. Connect to the water supply ideally applying PTFE tape to the threads to form a watertight seal. The hot water supply should always be connected to the left tap.

5. Fully open both taps and allow to run for approximately 1 minute to fully flush the system.

6. Check all connections for leaks.

Pillar Mounted Bath Filler & Bath Shower Mixer



1. Prior to installation flush out the pipe work to remove debris and then ensure the water supply is turned off.

2. Refer to diagram and ensure all components are present.

3. Assemble the tap body to the pillar legs.

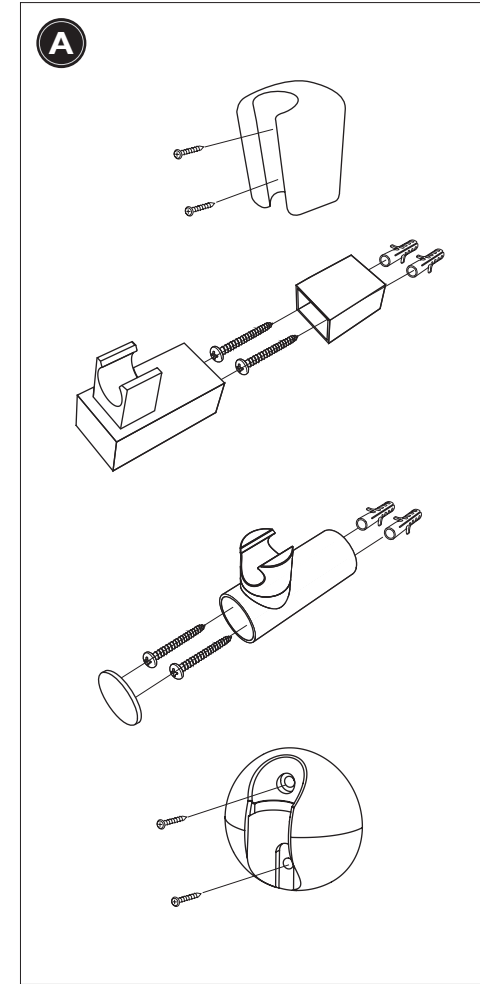
4. Fit the bath filler to the bath ensuring the washers and fixing nut are installed as shown.

5. Connect to the water supply ideally applying PTFE tape to the threads to form a watertight seal. The hot water supply should always be connected to the left hand leg.

6. Fully open both valves and allow to run for approximately 1 minute to fully flush the system.

7. Check all connections for leaks.

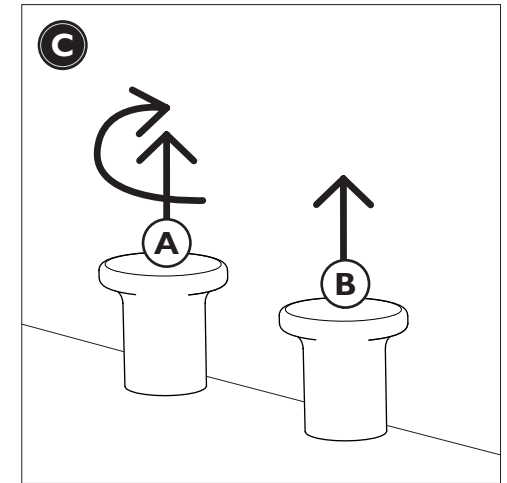
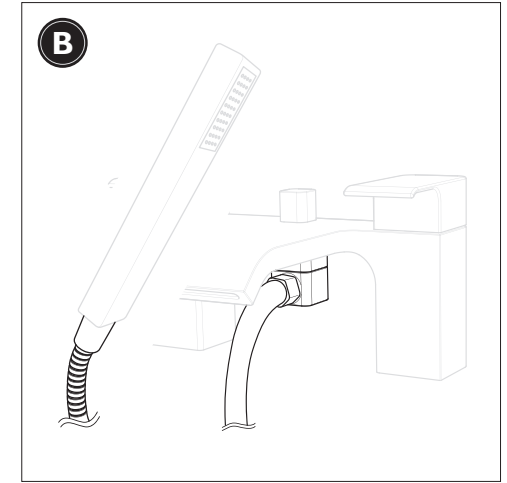
Further instructions for bath shower mixers



A **Installing a wall mounting bracket**
Establish the desired position for the shower head wall mounting bracket. Check that the bracket is oriented correctly and that the shower head will reach by placing it temporarily in position.

Caution: before drilling check for hidden power cables and pipes. Take care when using power tools, especially near water. The use of a residual current device (RCD) is recommended.

The bracket can now be installed using the fixing provided.

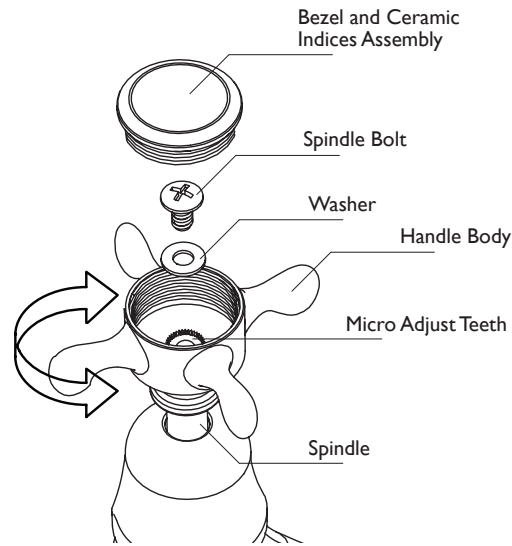


B **Installing the shower hose**
Attach the end of the shower hose with the nut to the thread underneath the spout, the smooth conical end should be attached to the shower head.

C **Using the shower**
There are two diverter types.
A -Lift and turn the handle to divert water to the shower.
B -lift the handle to divert water to the shower.

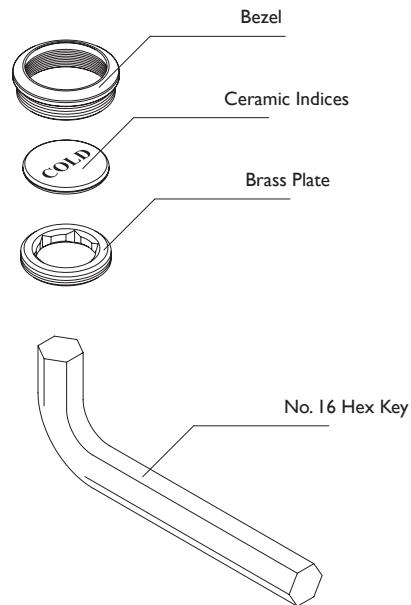
Instructions for items with thread secured indices

1. To adjust the alignment of the handle in relation to the body, unscrew the bezel and ceramic indices from the top of the handle.
2. Unscrew the spindle bolt, and set aside with the spindle bolt washer.
3. Lift the handle off the spindle and replace at the desired angle using the micro adjustment teeth.
4. Re-attach the washer and spindle bolt and tighten.
5. Screw the bezel and ceramic indices assembly back onto the handle body.



Adjusting ceramic indices

1. To adjust the alignment of the ceramic indices, first unscrew the bezel and ceramic indices assembly from the tap handle.
2. The ceramic indices are held in place by a threaded brass plate. Loosen the brass plate with a No. 16 Hex (Allen) Key, but do not remove from bezel.
3. Rotate the ceramic indices until the printed logo is at the desired position. You may need to screw the bezel and indices assembly back onto the handle body to check alignment and adjust as necessary.
4. When you are happy with the position, re-tighten the brass plate, making sure to hold the ceramic indices still.



Aftercare instructions

Whilst this item has a high quality durable finish, it should nevertheless be treated with care. Surfaces should be cleaned using only a soft damp cloth and clean water & dried using a soft cotton cloth. Bath cleaning products, even non-scratch ones could damage the finished surface.

10 Year Guarantee

We have complete confidence in this Tavistock product and as such it is offered with a 10-year guarantee against defects in manufacture. This product must be fitted by a competent installer. If in doubt seek advice from a qualified professional. The guarantee requires that this product be used in the manner for which it was intended and that it is installed & maintained in accordance with the fitting instructions and local water bylaws. The guarantee covers products in domestic use only. The guarantee is invalidated should the product be damaged by water borne debris. Make sure that supply pipes are clear of any debris prior to installation, this is particularly important on new plumbing installations. In the unlikely event that this product should fail during the guarantee period we will either replace the faulty part or the complete unit as appropriate. Tap valves are subject to a 1-year guarantee. This guarantee covers damage against reasonable wear and tear in use only. It does not cover damage incurred during installation, misuse or inappropriate maintenance. We recommend that the valve is regularly cleaned in hard water areas to prevent lime scale build-up. Replacement valves are available to purchase by contacting the Tavistock Customer Service team. Failure to follow the terms outlined above will invalidate this guarantee. Proof of purchase will be required to validate any guarantee claims.

TAVISTOCK