

## BASIN MIXERS

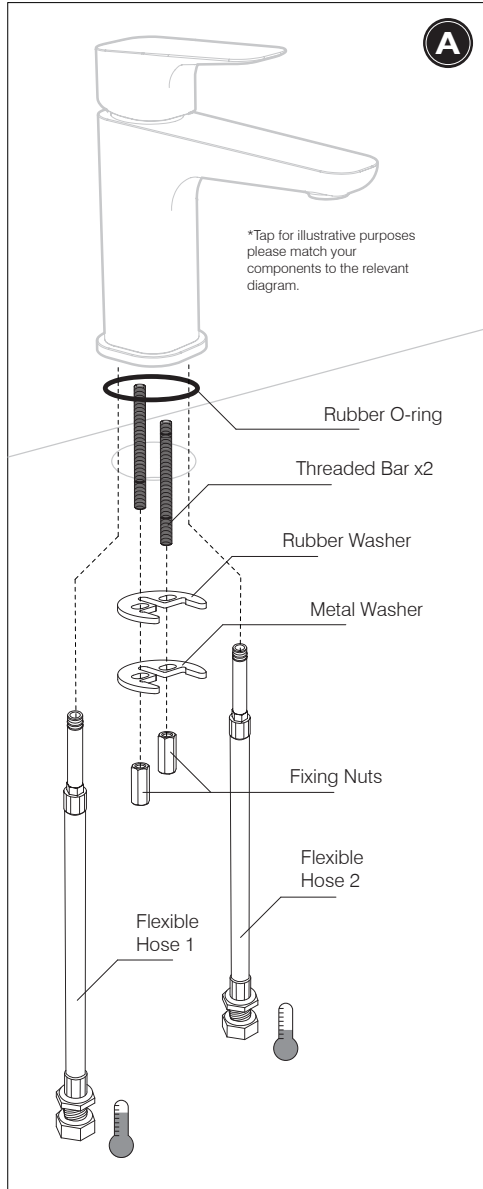
---

### INSTALLATION & AFTERCARE INSTRUCTIONS

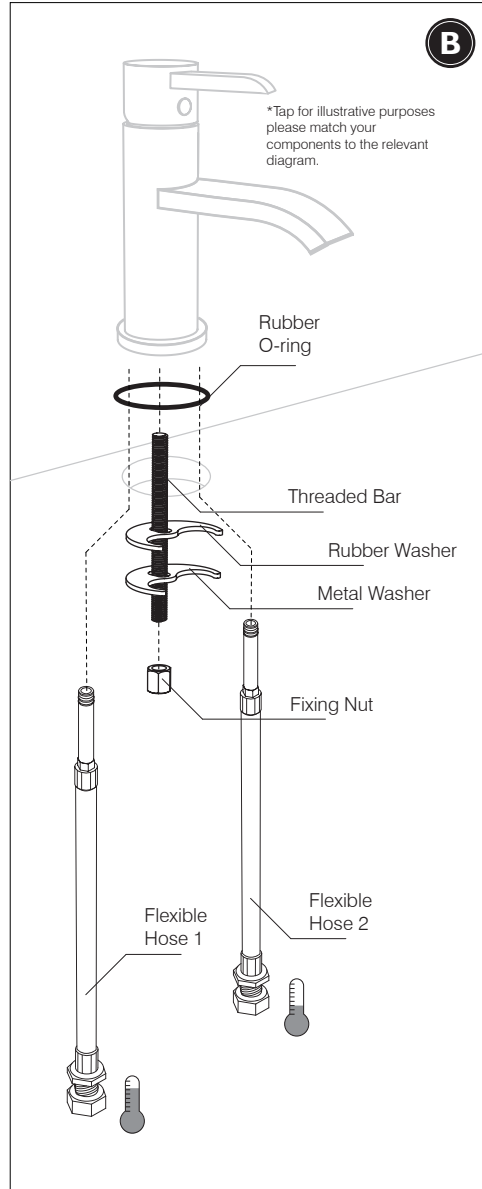
This guide covers the installation of all Tavistock basin mixer variants. Please select the installation diagram suited to the basin mixer you have purchased. Taps shown are for illustrative purposes only. Please retain for future reference.

Please retain for future reference.

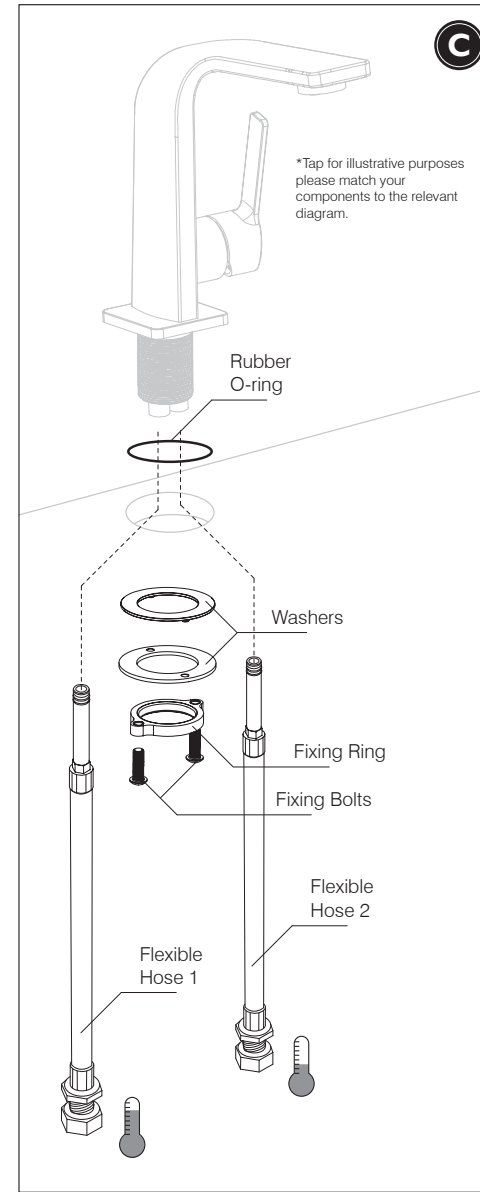
## Select the basin mixer based on the fixing pack provided



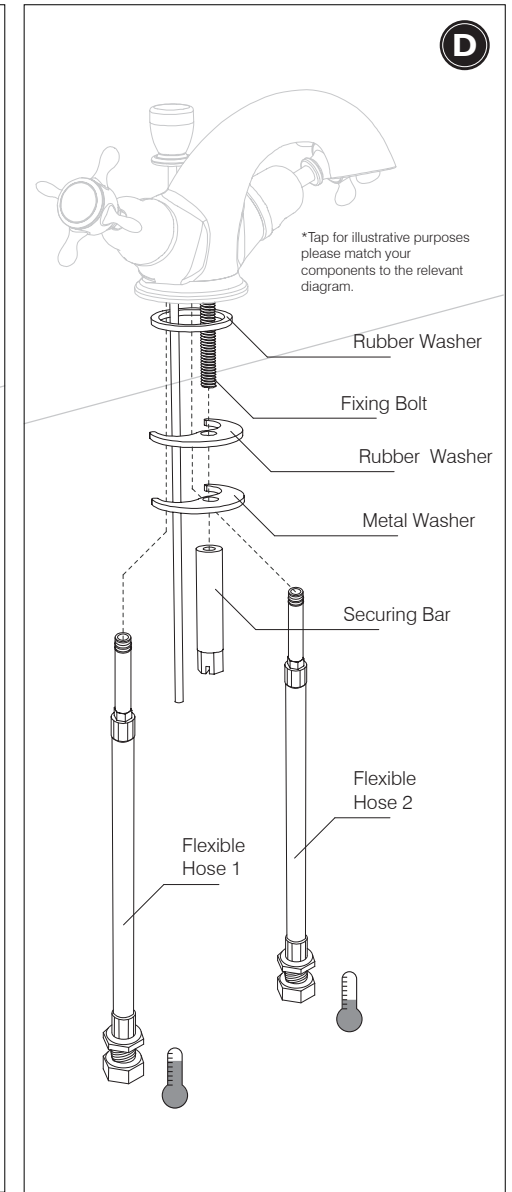
1. Prior to installation flush out the pipe work to remove debris and then ensure that the water supply is turned off.
2. Refer to diagram and check that all components are present.
3. Fit the flexible tail hoses to the basin mixer body



4. (IF APPLICABLE) Screw the threaded bar(s) into their location inside the mixer body, using an appropriate spanner, making sure that you do not over tighten.

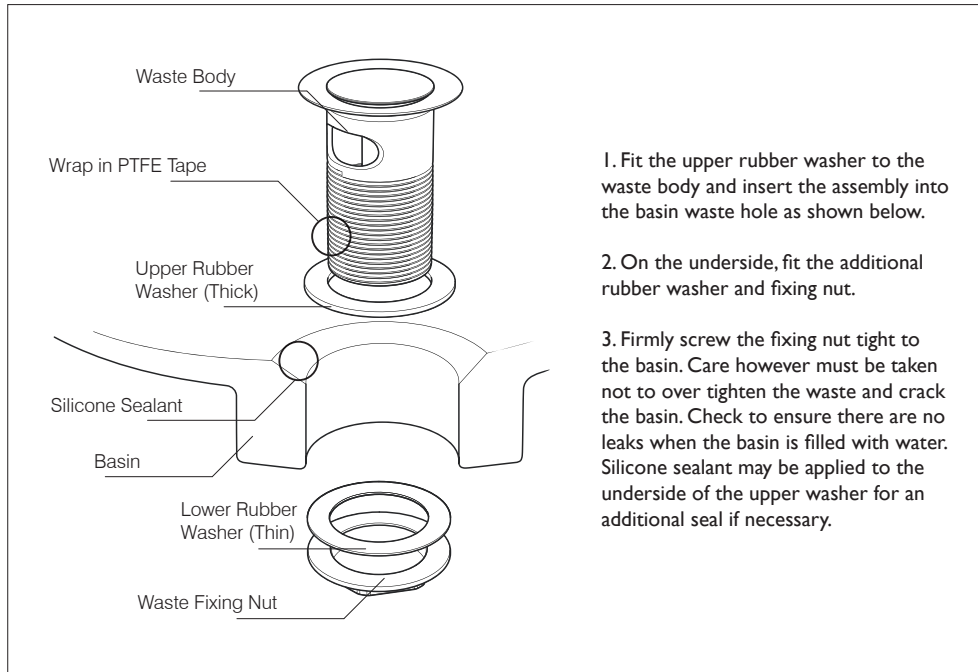


5. Fit the mixer body to the basin / bidet using the supplied rubber washer, metal washer and fixing nut in the order indicated in the drawings A to D.
6. **DO NOT** over-tighten as this may damage the basin. Remember to install the base plate or rubber o-ring between the basin mixer body & the basin / bidet.
7. Connect the water supply to the flexible hoses.

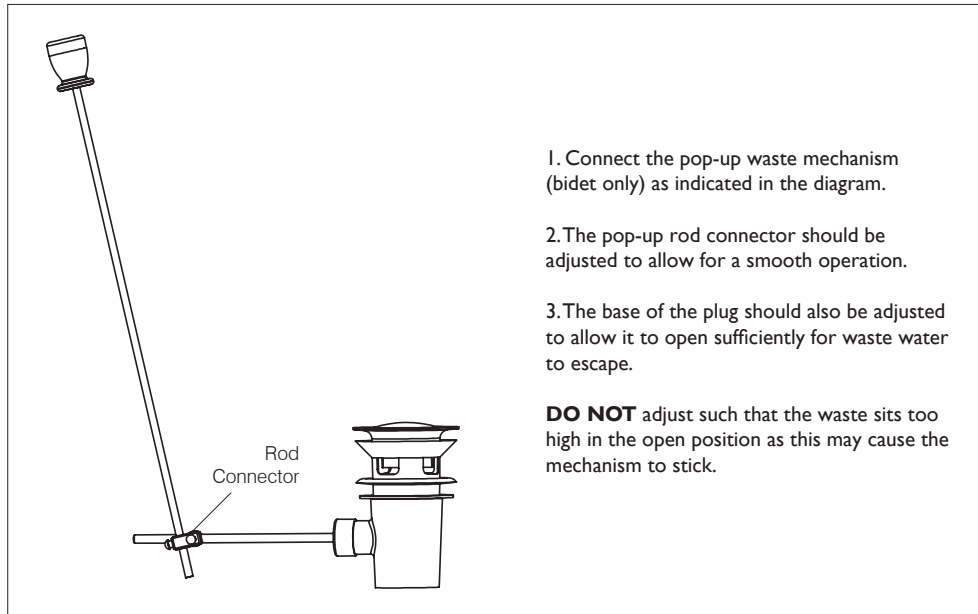


8. Fully open mixer on both hot & cold sides & allow water to run for approximately one minute to further flush the system.
9. Check all connections to ensure there are no leaks.

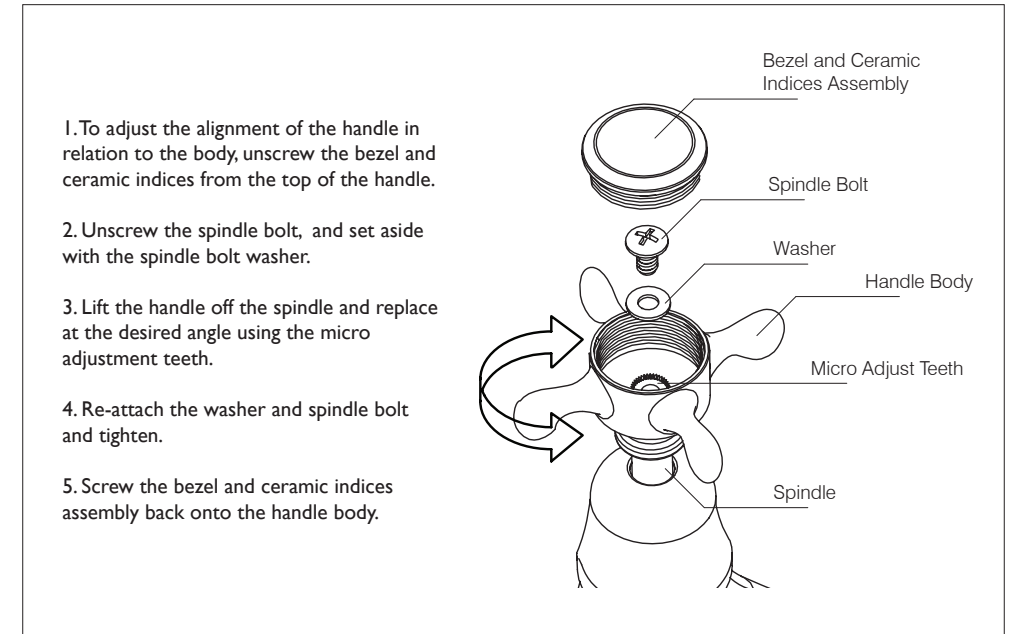
## If your basin mixer includes a click waste



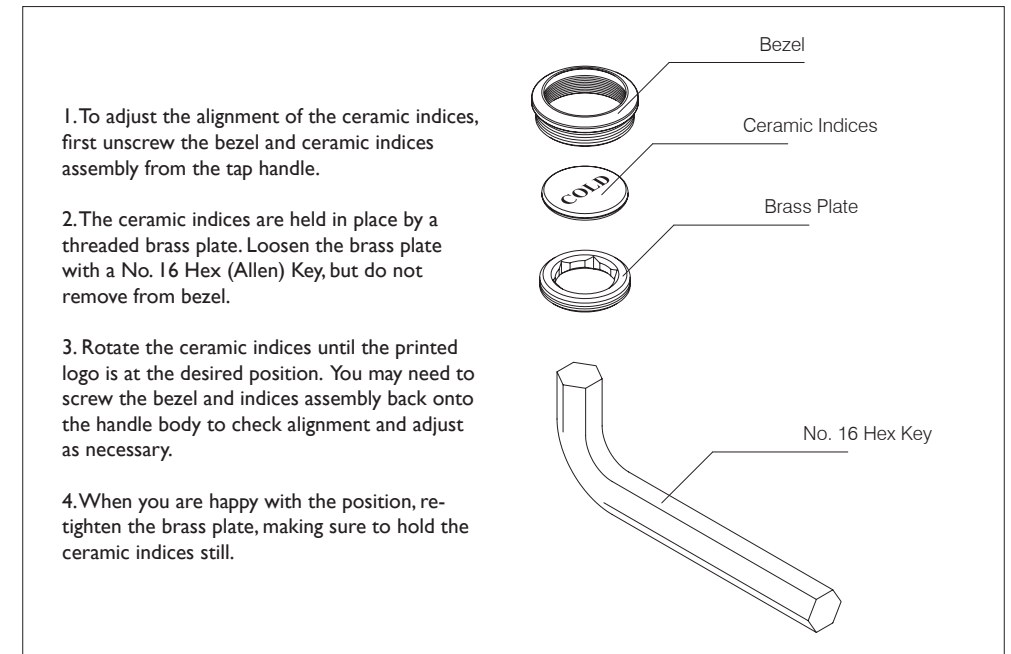
## If your basin mixer includes a pop up waste



## Further instructions for items with ceramic indices



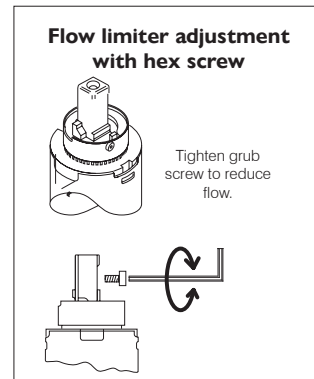
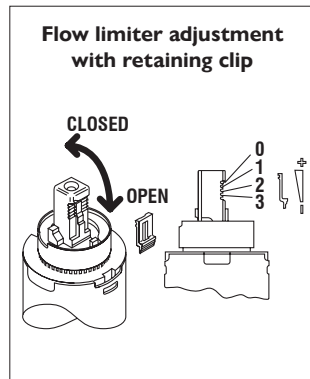
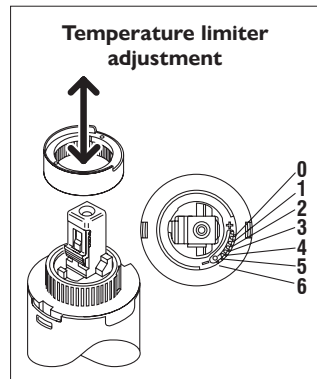
## Adjusting ceramic indices



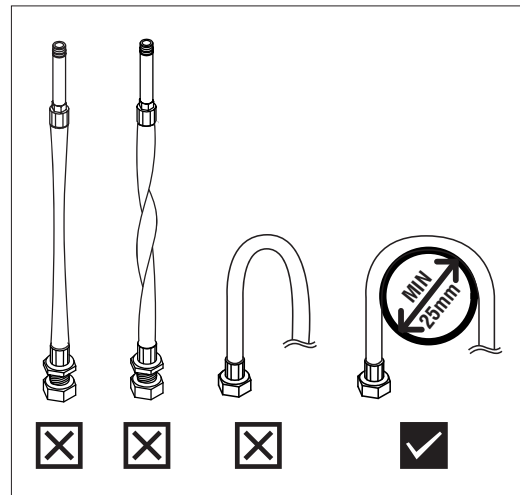
## For items which include flow and / or temperature limiters

Some mixers are fitted with a special cartridge that allows you to limit both the flow rate (should water pressure be too strong) and the hot water temperature (should the temperature be dangerously high). The opportunity to limit temperature is particularly useful if unsupervised young children are using this fitting. Fittings are supplied with both limiters in the fully open position. Should you wish to limit either flow rate or temperature it is first necessary to remove the handle. This is done by loosening the handle grub screw using an allen key. Access the grub screw by removing the rubber bung in the handle. Adjustments to the flow limiter can now be made. See diagram for reference. To adjust the temperature limiter it is necessary to first unscrew the domed cover cap beneath the handle, then the brass cartridge retaining nut (30mm spanner required). To make adjustments to the temperature limiter lift the purple cover on the cartridge and reposition in the required limiting position. See diagram for reference.

Limiter position	0	1	2	3	4	5	6
Flow reduction	0%	5%	12%	25%			
Temperature reduction	0%	3%	10%	20%	30%	40%	50%

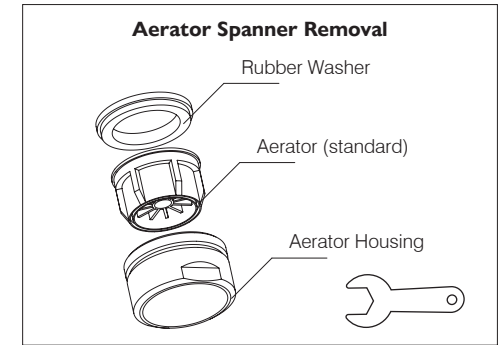
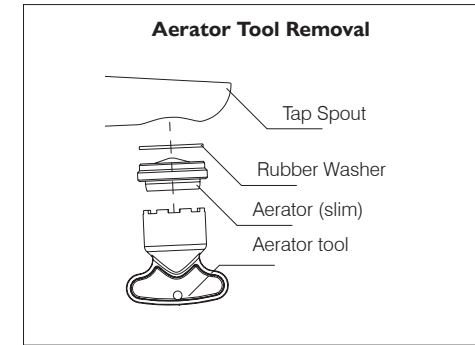


## For items which include flow and / or temperature limiters



## Aerator Removal and Replacement

There are two methods for aerator removal. refer to diagram below.



## Aftercare Instructions

Whilst this item has a high quality durable finish, it should nevertheless be treated with care. Surfaces should be cleaned using only a soft damp cloth and clean water & dried using a soft cotton cloth. Bath cleaning products, even non-scratch ones could damage the finished surface.

## Aftercare Instructions

We have complete confidence in this Tavistock product and as such it is offered with a 10-year guarantee against defects in manufacture. This tap must be fitted by a competent installer. If in doubt seek advice from a qualified professional. The guarantee requires that this product be used in the manner for which it was intended and that it is installed & maintained in accordance with the fitting instructions and local water bylaws. The guarantee covers products in domestic use only. The guarantee is invalidated should the tap be damaged by water borne debris. Make sure that supply pipes are clear of any debris prior to installation, this is particularly important on new plumbing installations. In the unlikely event that this product should fail during the guarantee period we will either replace the faulty part or the complete unit as appropriate. Tap cartridges are subject to a 1-year guarantee. This guarantee covers damage against reasonable wear and tear in use only. It does not cover damage incurred during installation, misuse or inappropriate maintenance. We recommend that the cartridge is regularly cleaned in hard water areas to prevent lime scale build-up. Replacement cartridges are available to purchase by contacting the Tavistock Customer Service team. Failure to follow the terms outlined above will invalidate this guarantee. Proof of purchase will be required to validate any guarantee claims.

TAVISTOCK