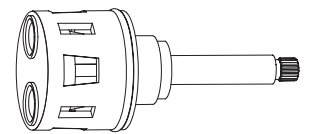
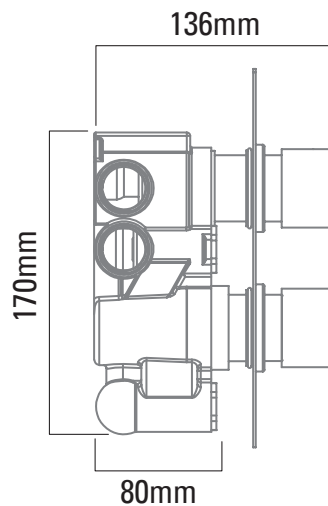
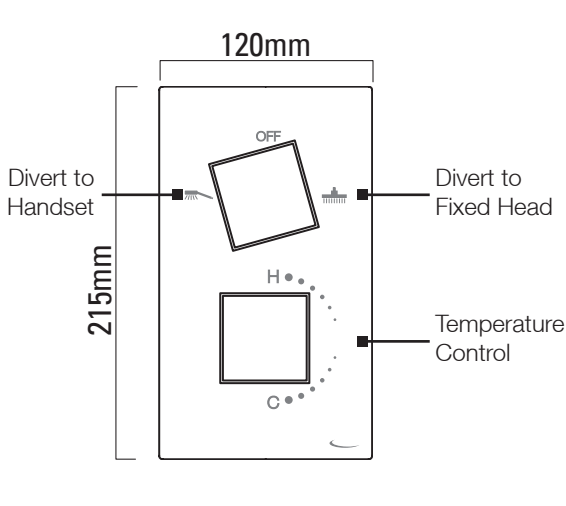
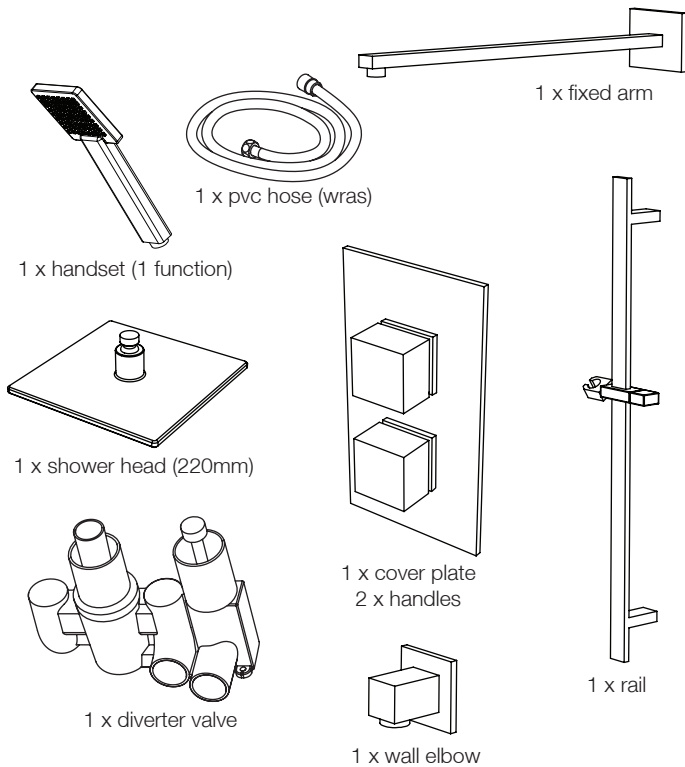
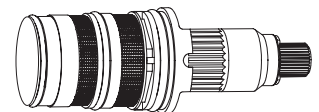


Components:



DIVERTER VALVE
SP12597



THERMOSTATIC VERNET
CARTRIDGE CA43
SP12225

Technical Info:

- Thread outlet size G1/2"
- Thread inlet size G1/2"
- Distance between inlets 92mm with a tolerance of +/- 2mm
- 0.5 bar min pressure recommended

Features:

- Automatic shut down if cold water pressure should suddenly fail
- ANTI-SCALD - thermostatic control for safe showering
- Resistant to lime scale build up
- 10 year guarantee
- Suitable for use in both low pressure (BS EN1287) and high pressure (BS EN1111) operating conditions.

Flow Rates:

PRESSURE (bar)	0.1	0.2	0.3	0.4	0.5	1.0	2.0	3.0	4.0
L per MIN	5.75	7.81	9.37	10.73	11.97	17.16	24.29	30.02	34.5