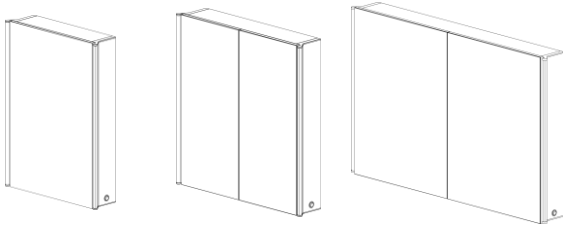


## Technical Data Sheet

### SLEEK



#### Box Contents:

Sleek Cabinet | 2 glass shelves | 2x Wall hanging brackets | 6x wall plugs | 6x screws | Instructions booklet

#### Materials:

Carcass: Extruded Aluminium | Door: Mirror on MDF | Backboard: 3mm MDF  
Glass: 3mm PVC Backed | Carcass end caps: Painted plastic

#### FAQ's:

	Units	SL44AL	SL60AL	SL100AL
Internal dimensions (L x W x D)	mm	400 x 554 x 100	560 x 554 x 100	964 x 554 x 100
Shelf dimensions (L x W x D)	mm	400 x 95 x 5	560 x 95 x 5	956 x 95 x 8
Max shelf spacing	mm	70		
Distance between door hinges	mm	387		
Individual door dimensions (L x W x D)	mm	650 x 443 x 15	650 x 443 x 15	650 x 443 x 15
Door opening angle	°	90 degree		
Depth with door fully open	mm	543	398	543
Hanging bracket centres	mm	385	545	966
What is the thickness of the mirror glass?	mm	3mm		
Is the cabinet IP44 rated?	-	Yes		
What size fuse should I use?	-	Seek the advice of an electrician		
What is the total power consumption?	W	12		
Does the mirror have an energy rating?	-	A		
What is the colour of the light and the Kelvin rating?	K	6000K		
What is the wattage of the lights?	W	12		
Where is the rocker switch located?	-	Right side		
Can the LED lighting be replaced?	-	No		
Can the IR sensor be replaced?	-	No		
What is the output of the demister pad?	W	N/A		
What are the dimensions of the demister pad?	mm	N/A		
How do I turn on the demister pad?	-	The demister pad will turn on when the LEDs are turned on.		
Are illuminated mirrors supplied with mains cable?	-	All illuminated mirrors are supplied with a removeable 500mm mains cable. There is ample storage for excess cable in the back of the unit.		

#### 10 Year Guarantee

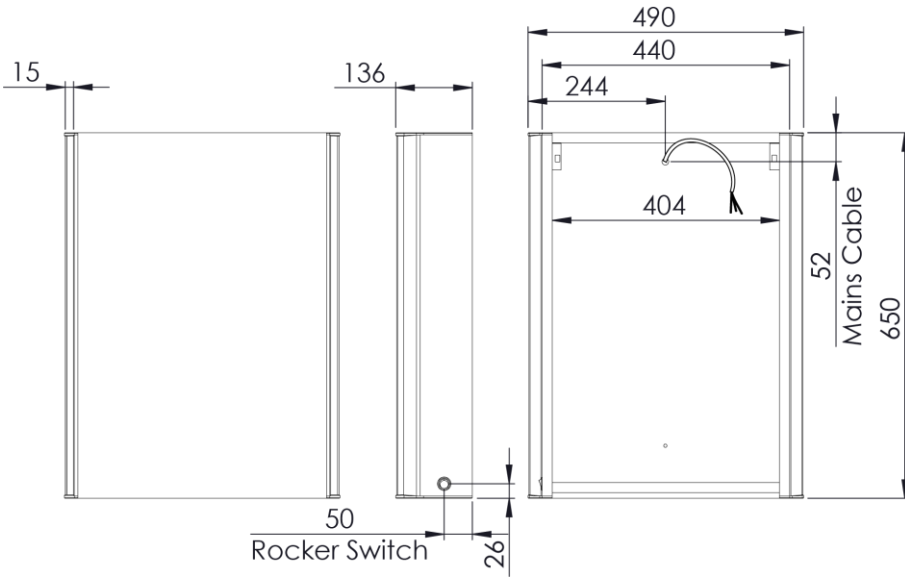
We have complete confidence in this Tavistock bathroom Cabinet and as such it is offered with a 10-year guarantee against defects in manufacture. The electronics are covered by our 2-year guarantee. In the unlikely event that this product should fail during the guarantee period we will either replace the faulty part or the complete unit as appropriate.

\*Dimensions are subject to change, customers are advised to measure actual product before commencing installation.

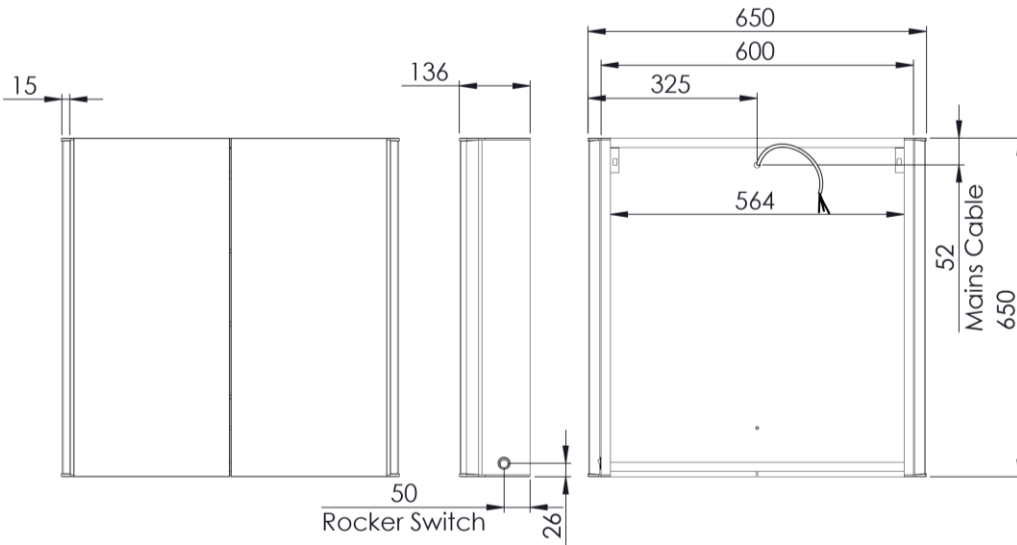
\*\*Fixing point dimensions are for guidance only/the positions of wall fixing must be checked when product is received.

Tavistock, Brassmill Lane Trading Estate, Bath BA1 3JF  
TEL: 01225 787 870 | [techsupport@tavistock-bathrooms.co.uk](mailto:techsupport@tavistock-bathrooms.co.uk)  
[www.tavistock-bathrooms.com](http://www.tavistock-bathrooms.com)

## SL44AL



## SL60AL



## SL100AL

