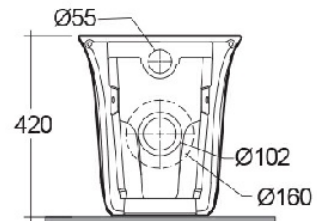
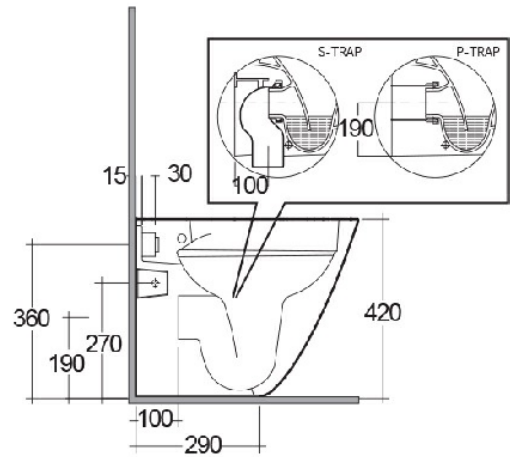
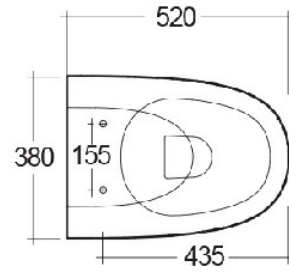


RAK-SENSATION W/HIDDEN FIXATIONS

Floor Standing | Water Closet

RAK
CERAMICS



Technical specifications

Dimensions: 520 x 380 mm

Weight: 25 Kg

Color: Alpine White

Trap type: P Trap & S Trap

Trapway type: Concealed

Seat cover options: Urea

Bowl shape: Oval

Suites: [RAK-SENSATION](#)

Code

Name

SENWC1346AWHA SENSATION WATER CLOSET FLOOR
STANDING P/S-TRAP 52CM

Dimensions: All dimensions in mm tolerance $\pm 5\%$ for below 200mm and $\pm 3\%$ for above 200mm.

Note: Due to a continuing development programme to improve design and performance, the manufacturer reserves all rights to vary specifications without prior information.

Please note accessories are for photographic use only.