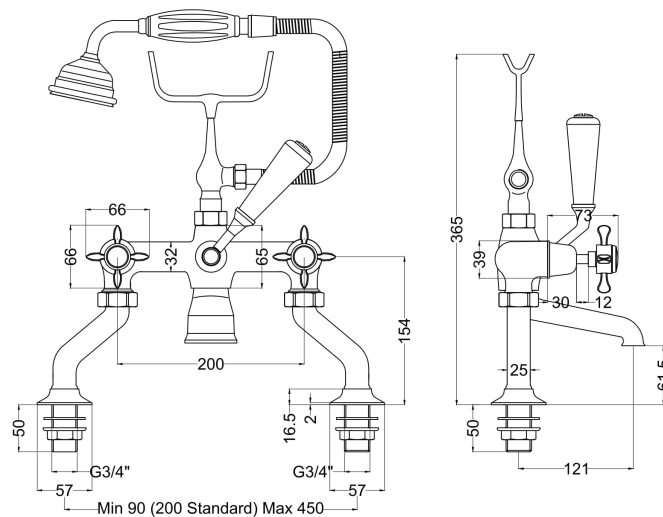


Sales Code: SEL304DX

Description: Selby Xhead D/M Bsm With Kit



### Product Dimensions

Height (mm):	320
Width (mm):	350
Depth (mm):	155
Length (mm):	
Nett Weight (kg):	4.9

### Packaging Dimensions

Height (mm):	150
Width (mm):	250
Depth (mm):	330
Gross Weight (kg):	4.9

### Packaging Data

Box Colour:	White Cardboard Box
Box Qty:	1
Label Size:	100 x 50
Label Colour:	White Label
Label Qty:	1

### Outer Box Dimensions (If Applicable)

Height (mm):	320
Width (mm):	345
Depth (mm):	520

Length (mm):	
Gross Weight (kg):	
Barcode:	5056462623849

### Product Details

Country of Origin:	United Kingdom
Fitting Instruction:	No
Product Material:	Brass
Control Type:	Manual
Waste Included:	Waste Not Included
Waste Type:	Not Applicable
WRAS Approval: No	Approval No: N/A
Valve/Cartridge Type:	1/4 Turn Ceramic Disc
Colour/Finish:	Chrome
Mount Type:	Deck
Operating Pressure (bar):	0.2

Flow Rates: (Litres Per Min)	0.1 bar: 10.6 0.5 bar: 28.6 1 bar: 41.4 2 bar: 59 3 bar: 72.8
Pipe Size:	22 mm (3/4" Bsp)
Pipe Centres:	90-300mm