

## Markwik 1/2in Pillar Taps, H& c

### Illustrated

**S8260** Markwik 1/2in pillar taps, raised nose, inlets screwed 1/2in BSP male

### Configuration options

### Weights

S8260 1.947KG

### Colours

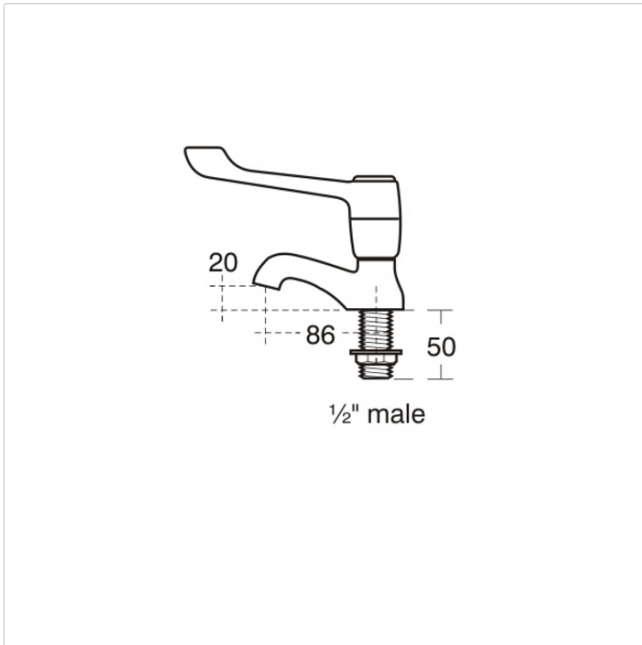
Chromium plated (AA)

### Special Notes

Consideration should be given to safe hot water delivery and the use of an appropriate temperature reduction device.

### Frequently used applications

General Healthcare



*Armitage  
Shanks*

Tel: 0870 122 8822  
Fax: 0870 122 8282  
Email: [info@idealspec.co.uk](mailto:info@idealspec.co.uk)  
Web: [www.idealspec.co.uk](http://www.idealspec.co.uk)

Ideal Standard (UK) Ltd. makes every effort to ensure that the information provided on its website is accurate. However, we cannot guarantee this, and accept no liability for any information or advice given via its website.

Powered by  
**Ideal**Spec

Date created:24/02/2013