

# Kirn Shower Panel With Thermostatic Lever Valve

## ILLUSTRATED


**S7872** Kirn wall mounted stainless steel shower panel with thermostatic lever operated shower valve

### ILLUSTRATED PRODUCT DETAILS

#### Weights

**S7872** 11.00 KG

#### Finishes

**S7872**  Stainless Steel finish (MY)

#### Materials

**S7872** Stainless Steel

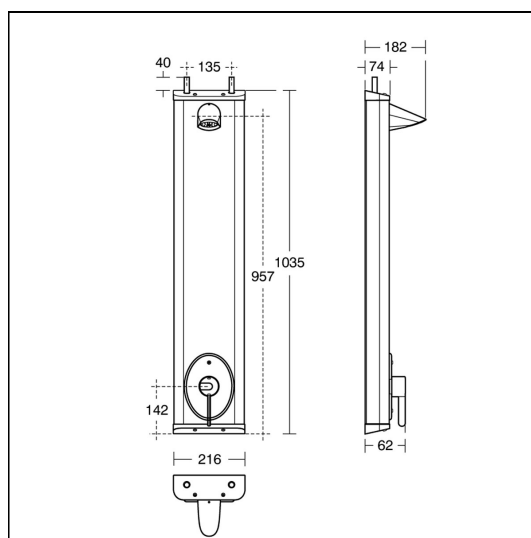
#### Standards

Manufactured from 1.2mm Stainless Steel (back plate is 1.5mm) to 1.4301 (304) to BSEN 10088: Part2:2005.

Back Plate is 3.0mm

#### Special Notes

Includes a TMV3 approved valve A4129AA.



### FEATURES

