

# Contour 2 Washbasin Wall Mounted Mixer With 150mm Proj. Nozzle

## ILLUSTRATED

**S7422** Contour 21 washbasin mixer wall mounted single control concealed, ceramic disc operation, 150mm projection spout with alternative aerator or flow straightener outlet, rigid copper inlet tails integral combined filter and regulating valves

## ILLUSTRATED PRODUCT DETAILS

### Weights

**S7422** 3.01 KG

### Finishes

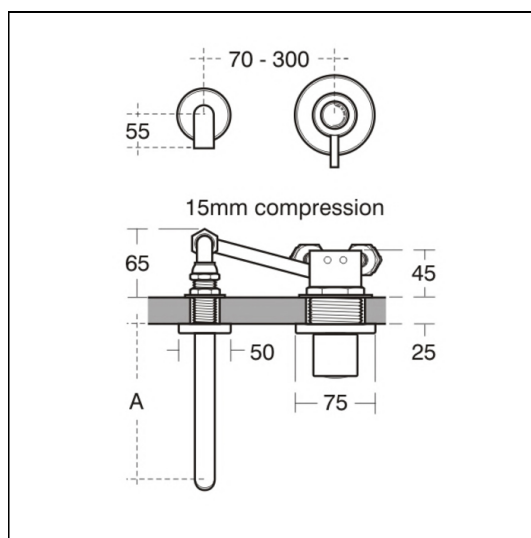
**S7422**  Chrome (AA)

### Materials

**S7422** Chrome Plated Brass

### Special Notes

Minimum inlet pressure 0.3 bar - 0.2 bar if flow straightener is used. Maximum inlet pressure 5.0 bar. The mixer will operate on unbalanced supplies within the range above provided the flow is controlled using inlet regulators supplied. The mixer incorporates a single flow body. Non-return valves are required to conform to water regulations (e.g. where unbalanced supplies are used. Inlet tails with 15mm connections for 15mm copper.



## ACCREDITATIONS



## FEATURES

