

Trevi CTV lever thermostatic shower valve mounted in box

ILLUSTRATED


S6933 (TM1) Trevi CTV concentric thermostatic mixing valve with extended lever, mounting box with stainless steel cover plate.

ILLUSTRATED PRODUCT DETAILS

Weights

S6933 5.22 KG

Finishes

S6933  Stainless Steel finish (MY)

Materials

S6933 Chrome Plated & Stainless Steel

FINISH OPTIONS

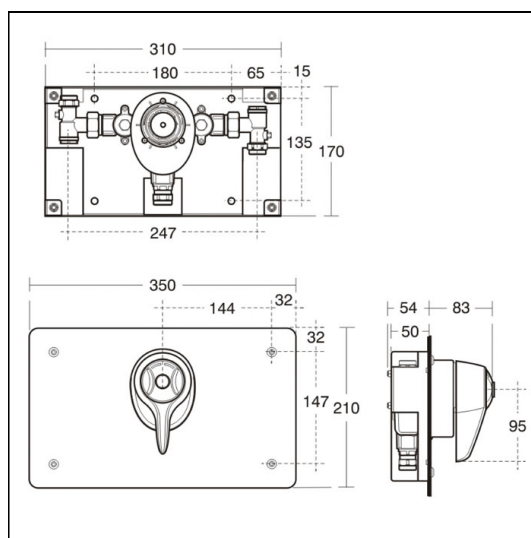


Standards

TMV3 Thermostatic Mixing Valve Scheme approved. Meets the requirements of NHS Model Engineering Specification - D08 for Type 3 valves

Special Notes

Operating pressures from 0.1 to 5.0 bar. Suitable for use with Armaglide 2 shower kits or shower heads. Can be used with gravity or high pressure shower kits. Suitable for rising or falling supplies. Supplied complete with combined isolating and non-return valves with filters on inlets for 15mm copper. Outlet screwed 1/2in BSP male



ACCREDITATIONS



FEATURES

