

Conceala plastic auto cistern, 9 litres & fittings for 3 position

ILLUSTRATED

S6216 Conceala auto cistern 9.0 litre with cover, auto syphon and petcock

ILLUSTRATED PRODUCT DETAILS

Weights

S6216 3.00 KG


Materials

S6216 Plastic

Standards

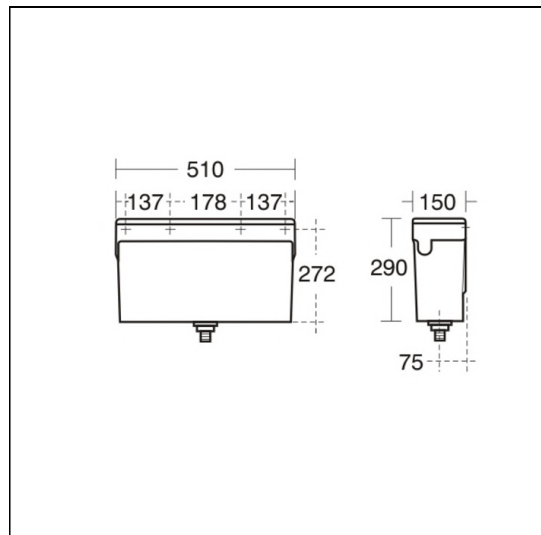
Cisterns to BS 1876

Finishes

S6216  Neutral / No Finish (67)

Capacity

S6216 9 litres



FEATURES

