

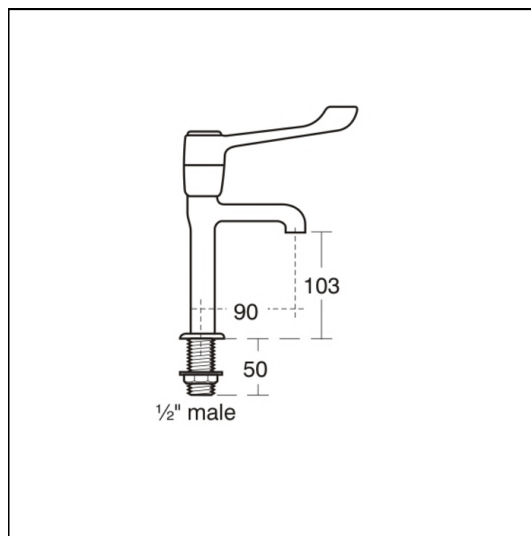
Doon Sink 60x65cm Single Bowl, 2 Taphole

ILLUSTRATED

- S6001** Doon sink, single bowl 60 x 65cm, 2 tapholes HTM63 Profile
- S8265** Markwik 1/2" high neck pillar taps
- S8768** Waste 1 1/2" unslotted chain waste, plug and screw stay, 90mm tail
- S8925** Trap 1 1/2" plastic resealing bottle with 75mm seal, multi-purpose outlet

OPTIONS

- S9281** Leg 900mm stainless steel to floor (2 required)
- S8760** Waste 1 1/2" unslotted strainer waste, 50mm long, 75mm dia. brass
- S8915** Trap 1 1/2" plastic bottle with 75mm seal, multi-purpose outlet



ILLUSTRATED PRODUCT DETAILS


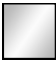


Weights

- S6001** 8.70 KG
- S8265** 2.29 KG
- S8768** 0.39 KG
- S8925** 0.33 KG

Materials

- S6001** Stainless Steel
- S8265** Chrome Plated Brass
- S8768** Chrome Plated Metal
- S8925** Plastic

Finishes

- S6001**  Stainless Steel finish (MY)
- S8265**  Chrome (AA)
- S8768**  Chrome (AA)
- S8925**  Neutral / No Finish (67)

Standards

Stainless steel sheet to BS EN 10088: Part 2: 2005. Conforms to Metal sinks BS EN 13310