

# Angus Cleaners Sink Bucket Grating & Waste

## ILLUSTRATED

- S5912** Angus sink, 44 x 31cm with 28cm high back, 1½" integral strainer waste and Stainless Steel bucket grating
- B1673** Nimbus 21 bib taps 1/2"anti vandal outlet pair
- B1688** Nimbus 21 exposed bib tap wall mountself centralising installation pair
- S8925** Trap 1½" plastic resealing bottle with 75mm seal, multi-purpose outlet

## OPTIONS

- B1457** Alterna 21 bib taps 1/2"lever handles, anti vandal outlet pair
- B1686** Nimbus 21 concealed bib tap wall mountself centralising installation pair
- S8915** Trap 1½" plastic bottle with 75mm seal, multi-purpose outlet
- A5900** TMV Thermostatic mixing valve 15mm



## ILLUSTRATED PRODUCT DETAILS





### Weights

- S5912** 5.40 KG
- S8925** 0.33 KG

### Materials

- S5912** Stainless Steel
- B1673** Chrome Plated Brass
- B1688** Chrome Plated Brass
- S8925** Plastic

### Finishes

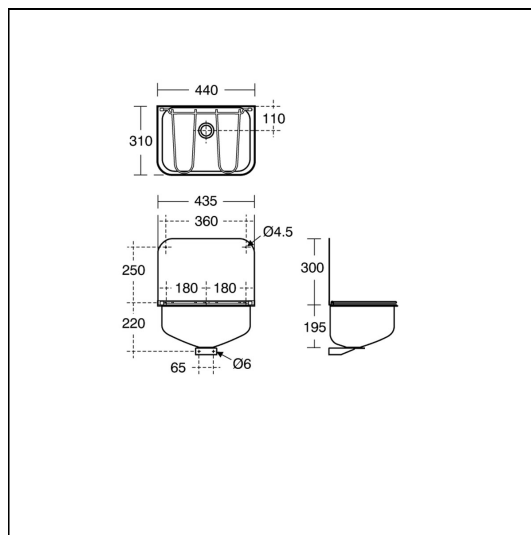
- S5912**  Stainless Steel finish (MY)
- B1673**  Chrome (AA)
- B1688**  Chrome (AA)
- S8925**  Neutral / No Finish (67)

## FINISH OPTIONS

(MZ) Mirror



(MY) Stainless Steel finish



### Special Notes

The sink is fixed to wall with 2 screws through the back of the sink and 2 through the waste bracket (screws not supplied).