

Palm Push Button (150mm) Low Level

ILLUSTRATED

S4452 Palm push button mechanism for low level concealed cistern for 150mm maximum wall thickness

ILLUSTRATED PRODUCT DETAILS

Weights

S4452 0.19 KG

Finishes

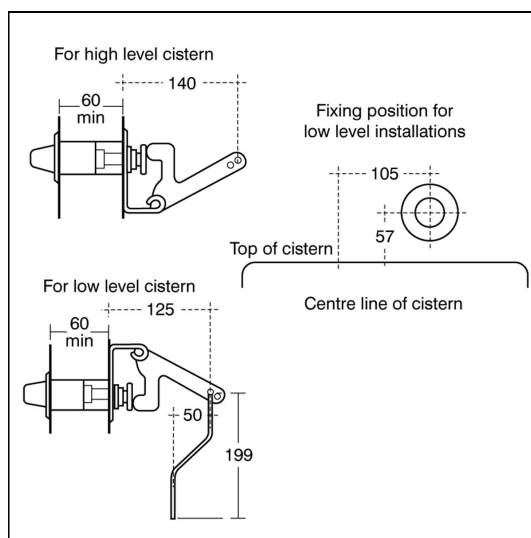
S4452  Chrome (AA)

Materials

S4452 Chrome Plated Metal

Special Notes

Minimum wall thickness 60mm. Mechanism can be reduced on site. Wall thickness must be specified when ordering



FEATURES

