

Firth Trough 240cm RH Waste Cover & Hangers

ILLUSTRATED

- S2877** (SU H) Firth 240cm scrub-up trough, right hand outlet strainer waste, trap cover and hangers
- A6062** (TB H6) Markwik 21 integral thermostat, bib mixer, time flow sensor, single flow horizontal outlet, 2 x 1/2" inlets at 200mm centres, Armitage Bioguard outlet fitted
- S8925** (TRR2/P) Trap 1 1/2" plastic resealing bottle with 75mm seal, multi-purpose outlet

ILLUSTRATED PRODUCT DETAILS

Sizes

S2877 1:2400

Weights

S2877 53.00 KG

A6062 5.80 KG

S8925 0.33 KG


Materials

S2877 Stainless Steel


A6062 Chrome Plated Brass

S8925 Plastic

Finishes

S2877  Stainless Steel finish (MY)

A6062  Chrome (AA)

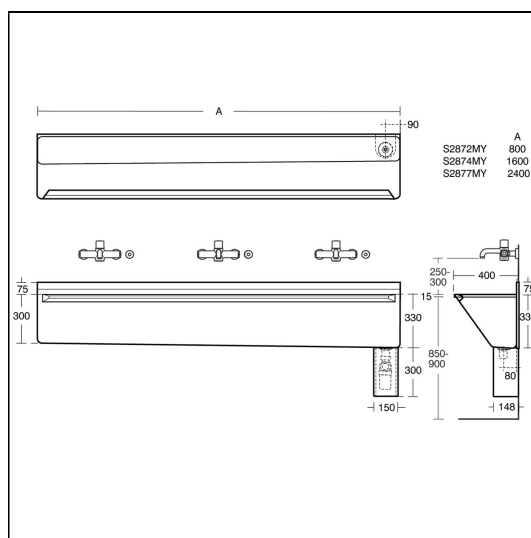
S8925  Neutral / No Finish (67)

Standards

Manufactured from 1.5 mm Stainless Steel 1.4301 (304) to BSEN 10088: Part2:2005

Special Notes

For use in connection with surgical washing of forearms and hands see further pages for TB H6 details A6062 Markwik time flow thermostatic, sensor mixer



FEATURES

