

# Firth Trough 160cm RH Waste Cover & Hangers

## ILLUSTRATED

- S2874** (SU H) Firth 160cm scrub-up trough, right hand outlet strainer waste, trap cover and hangers
- A6062** (TB H6) Markwik 21 integral thermostat, bib mixer, time flow sensor, single flow horizontal outlet, 2 x 1/2" inlets at 200mm centres, Armitage Bioguard outlet fitted
- S8925** (TRR2/P) Trap 1 1/2" plastic resealing bottle with 75mm seal, multi-purpose outlet

## ILLUSTRATED PRODUCT DETAILS

### Sizes

**S2874** l:1600

### Weights

**S2874** 42.10 KG

**A6062** 5.80 KG

**S8925** 0.33 KG


### Materials

**S2874** Stainless Steel

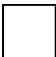
**A6062** Chrome Plated Brass

**S8925** Plastic

### Finishes

**S2874**  Stainless Steel finish (MY)

**A6062**  Chrome (AA)

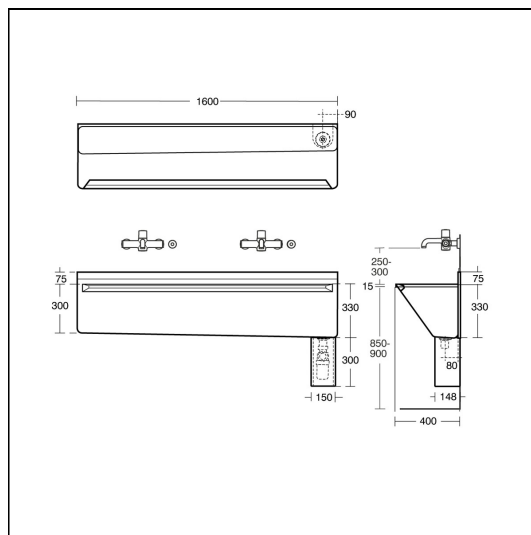
**S8925**  Neutral / No Finish (67)

### Standards

Manufactured from 1.5 mm Stainless Steel 1.4301 (304) to BSEN 10088: Part2:2005

### Special Notes

For use in connection with surgical washing of forearms and hands see further pages for TB H6 details A6062 Markwik time flow thermostatic, sensor mixer



## FEATURES

