

Firth Trough, 160cm LH Waste Cover & Hangers

ILLUSTRATED

- S2873** (SU H) Firth 160cm scrub-up trough, left hand outlet strainer waste, trap cover and hangers
- A6062** (TB H6) Markwik 21 integral thermostat, bib mixer, time flow sensor, single flow horizontal outlet, 2 x 1/2" inlets at 200mm centres, Armitage Bioguard outlet fitted
- S8925** (TRR2/P) Trap 1 1/2" plastic resealing bottle with 75mm seal, multi-purpose outlet

ILLUSTRATED PRODUCT DETAILS

Sizes

S2873 l:1600

Weights

S2873 42.10 KG

A6062 5.80 KG

S8925 0.33 KG


Materials

S2873 Stainless Steel

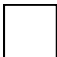
A6062 Chrome Plated Brass

S8925 Plastic

Finishes

S2873  Stainless Steel finish (MY)

A6062  Chrome (AA)

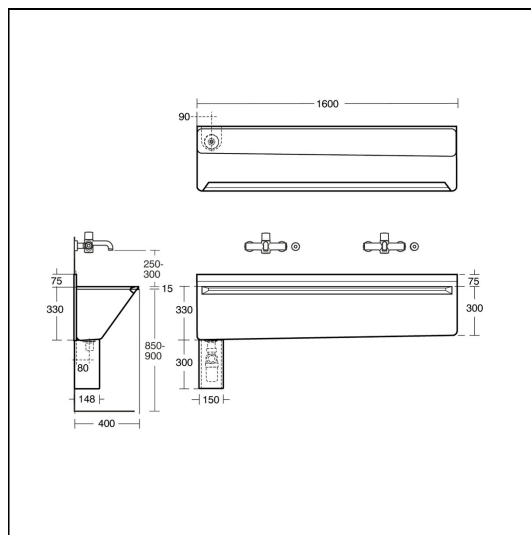
S8925  Neutral / No Finish (67)

Standards

Manufactured from 1.5 mm Stainless Steel 1.4301 (304) to BSEN 10088: Part2:2005

Special Notes

For use in connection with surgical washing of forearms and hands see further pages for TB H6 details A6062 Markwik time flow thermostatic, sensor mixer



ACCREDITATIONS



FEATURES

