

Calder Washing Trough, 240cm Central Outlet Domed 2in Waste Tapholes for 4 mixers

ILLUSTRATED

- S2826** Calder stainless steel washing trough 240cm long, 4 taphole positions, central outlet with 2" domed waste
- B8861** Avon 21 washbasin mixer 1 hole, self closing push button, variable temperature with copper tube inlets
- A5900** TMV Thermostatic mixing valve 15mm

OPTIONS

- B8260** Piccolo 21 washbasin 1 hole single lever mixer, no waste, 4.7 litres per minute laminar flow regulator, anti-vandal outlet, optional flow straightener, flexible tails
- A6697** Contour 21+ 1 hole thermostatic basin mixer, single sequential lever with copper tails

ILLUSTRATED PRODUCT DETAILS

Sizes

S2826 1:2400

Weights

S2826 22.40 KG

B8861 2.45 KG

A5900 0.60 KG


Materials

S2826 Stainless Steel

B8861 Chrome Plated Brass

A5900 Chrome Plated Metal

Finishes

S2826  Stainless Steel finish (MY)

B8861  Chrome (AA)

A5900  Chrome (AA)

Flow rates

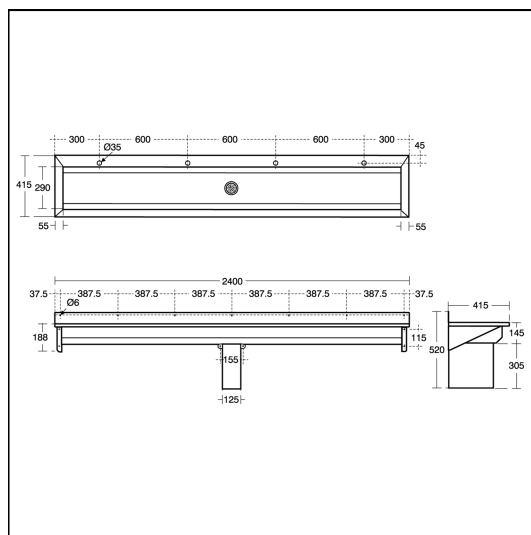
B8861 4.7 Litres per minute @ 3 bar pressure

Standards

Stainless steel sheet to BS EN 10088:Part 2:2005

Special Notes

Consideration should be given to safe hot water delivery and the use of an appropriate temperature reduction device see A5900AA



ACCREDITATIONS

B8861(AA)



B8260(AA)



A6697(AA)



FEATURES



E: info@idealspec.co.uk | T: 0870 122 8822 | F: 0870 122 8282 | www.idealspec.co.uk

Ideal Standard (UK) Ltd. makes every effort to ensure that the information provided on its website is accurate. However, we cannot guarantee this, and accept no liability for any information or advice given via its website.

*Armitage
Shanks*