

# Calder Washing Trough, 180cm Central Outlet Domed 2in Waste Taphole For 3 Mixers

## ILLUSTRATED

- S2825** Calder stainless steel washing trough 180cm long, 3 taphole positions, central outlet with 2" domed waste
- B8861** Avon 21 washbasin mixer 1 hole, self closing push button, variable temperature with copper tube inlets
- A5900** TMV Thermostatic mixing valve 15mm

## OPTIONS

- B8260** Piccolo 21 washbasin 1 hole single lever mixer, no waste, 4.7 litres per minute laminar flow regulator, anti-vandal outlet, optional flow straightener, flexible tails
- A6697** Contour 21+ 1 hole thermostatic basin mixer, single sequential lever with copper tails

## ILLUSTRATED PRODUCT DETAILS

### Sizes

**S2825** l:1800

### Weights

**S2825** 16.90 KG

**B8861** 2.45 KG

**A5900** 0.60 KG


### Materials

**S2825** Stainless Steel

**B8861** Chrome Plated Brass

**A5900** Chrome Plated Metal

### Finishes

**S2825**  Stainless Steel finish (MY)

**B8861**  Chrome (AA)

**A5900**  Chrome (AA)

### Flow rates

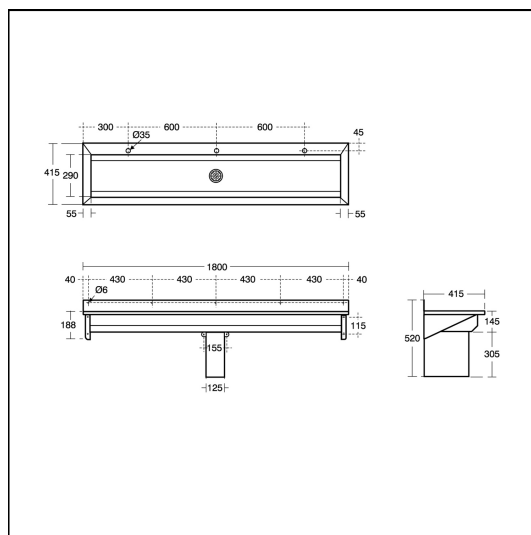
**B8861** 4.7 Litres per minute @ 3 bar pressure

### Standards

Stainless steel sheet to BS EN 10088:Part 2:2005

### Special Notes

Consideration should be given to safe hot water delivery and the use of an appropriate temperature reduction device see A5900AA



## ACCREDITATIONS

**B8861(AA)**



**B8260(AA)**



**A6697(AA)**



# Calder Washing Trough, 180cm Central Outlet Domed 2in Waste Taphole For 3 Mixers



## FEATURES

---

