

Contour 21 Splash 40cm Schools basin with overflow - two taphole - no chain hole

ILLUSTRATED

- S2636** Contour 21 Splash 40cm Schools basin with overflow - two tapholes
- E0157** Wall fixing set
- B8262** Piccolo 21 inclined 1/2" washbasin pillar taps, lever operated, dual hot and cold indices, anti-vandal water saving nozzle
- S8722** Waste 1 1/4" brass strainer waste, 80mm slotted tail
- S8920** Trap 1 1/4" plastic resealing bottle, 75mm seal, multi-purpose outlet

OPTIONS

- B8267** Avon 21 washbasin inclined pillar taps (pair) with dual Hot and Cold indices per tap, self closing push button non concussive, water saving anti-vandal nozzle regulated to 3.7 litres per minute maximum. Alternative low pressure outlet option supplied.
- S8900** Trap 1 1/4" metal bottle, 75mm seal, outlet screwed 1 1/4" BSP male with compression nut and ring

ILLUSTRATED PRODUCT DETAILS

Sizes

S2636 w:400 x d:330

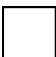
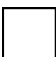
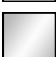
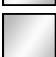

Weights

- S2636** 7.00 KG
- E0157** 0.16 KG
- B8262** 1.60 KG
- S8722** 0.22 KG
- S8920** 2.00 KG

Materials

- S2636** Vitreous China
- E0157** Metal
- B8262** Chrome Plated Brass
- S8722** Chrome Plated Metal
- S8920** Plastic

Finishes

- S2636**  White (01)
- E0157**  Neutral / No Finish (67)
- B8262**  Chrome (AA)
- S8722**  Chrome (AA)
- S8920**  Neutral / No Finish (67)

Capacity

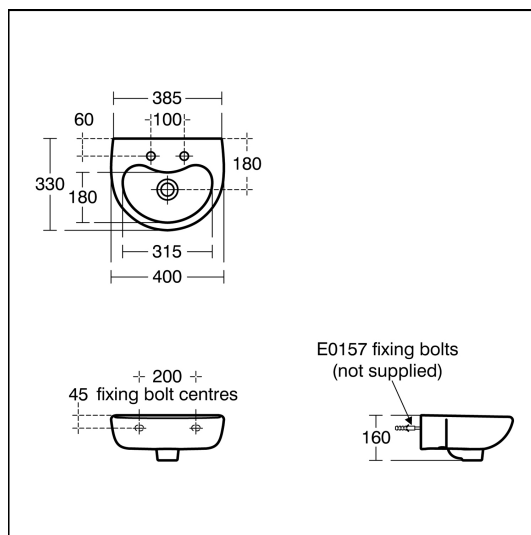
S2636 2 litres

Flow rates

B8262 5 Litres per minute @ 3 bar pressure

Special Notes

S9138 Bracket for 40cm basins
 Recommended fixing heights (floor to front rim);
 Nursery use 600mm
 Infant use 700mm
 Junior use 750mm
 Senior/adult use 780-800mm.
 Washbasin wall mounted using E015767 wall fixing set or panel mounted using E006267 fixing set



FEATURES

