

# Contour 21 Splash 40cm Schools basin with overflow - one taphole

## ILLUSTRATED

- S2635** Contour 21 Splash 40cm Schools basin with overflow - one taphole
- E0157** Wall fixing set
- B8263** Avon 21 washbasin mixer 1 hole, self closing push button, variable temperature control with 15mm female connector flexible hoses on inlets
- S8722** Waste 1¼" brass strainer waste, 80mm slotted tail
- S8920** Trap 1¼" plastic resealing bottle, 75mm seal, multi-purpose outlet

## OPTIONS

- S8733** Waste 1¼" brass anti theft swivel plug waste, 80mm slotted tail
- S8800** Waste 1¼" plastic waste with bead chain and plug, 80mm slotted tail, bolt stay
- S8900** Trap 1¼" metal bottle, 75mm seal, outlet screwed 1¼" BSP male with compression nut and ring

## ILLUSTRATED PRODUCT DETAILS

### Sizes

**S2635** w:400 x d:330

### Weights

**S2635** 7.70 KG

**E0157** 0.16 KG

**B8263** 2.30 KG

**S8722** 0.22 KG

**S8920** 2.00 KG

### Materials

**S2635** Vitreous China

**E0157** Metal

**B8263** Chrome Plated Brass

**S8722** Chrome Plated Metal

**S8920** Plastic

### Finishes

**S2635**  White (01)

**E0157**  Neutral / No Finish (67)

**B8263**  Chrome (AA)

**S8722**  Chrome (AA)

**S8920**  Neutral / No Finish (67)

### Capacity

**S2635** 2 litres

### Flow rates

**B8263** 3.7 Litres per minute @ 3 bar pressure

### Special Notes

Recommended fixing heights (floor to front rim);

Nursery use 600mm

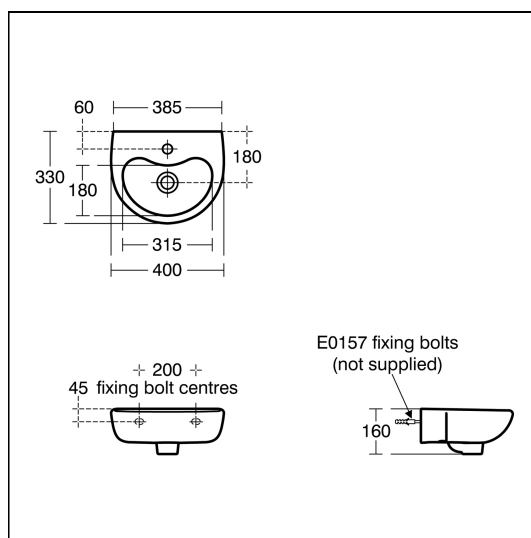
Infant use 700mm

Junior use 750mm

Senior/adult use 780-800mm.

Washbasin wall mounted using E015767 wall fixing set or panel mounted

using E006267 fixing set



## FEATURES

